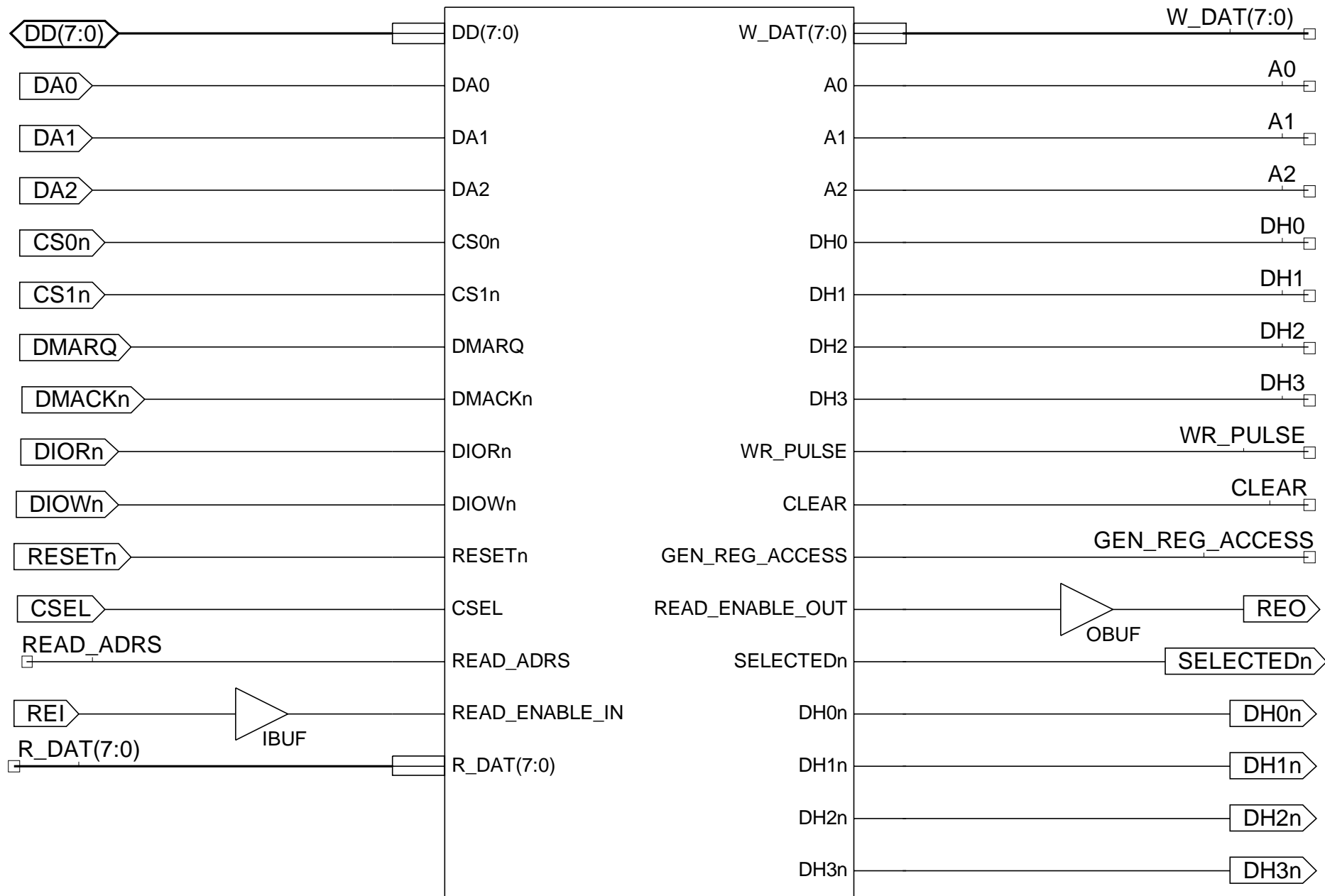


ATA_FRONTEND_01a



ATA Adapter 05a1

<http://www.controllersandpcs.de/ataio>

GEN_REG_ACCESS

A2

A1

A0

AND4B2

AND4B1

DAT_ACCESS

DIR_ACCESS

DAT/DIR Address Decoder

Read Enable Out

DH3

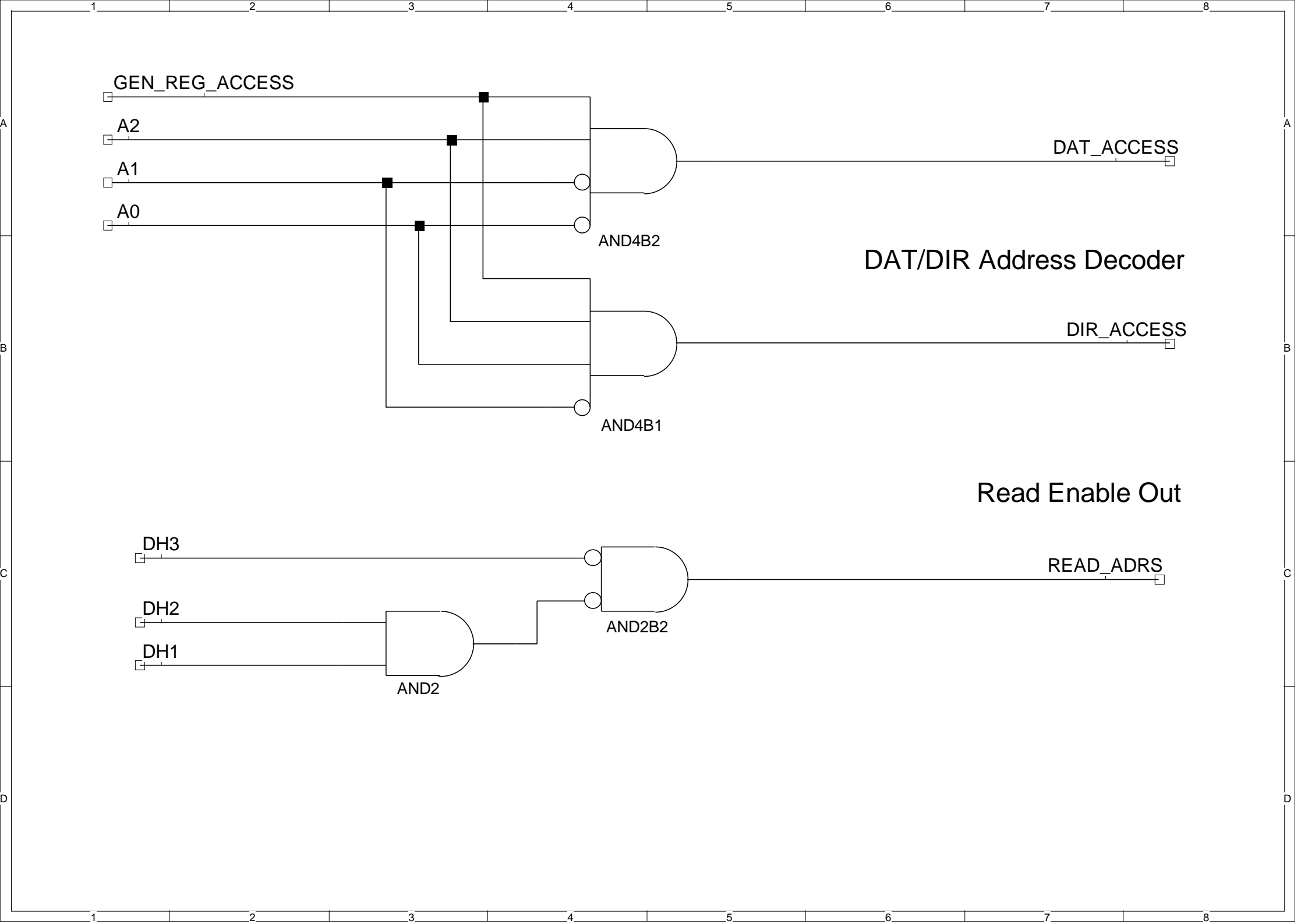
DH2

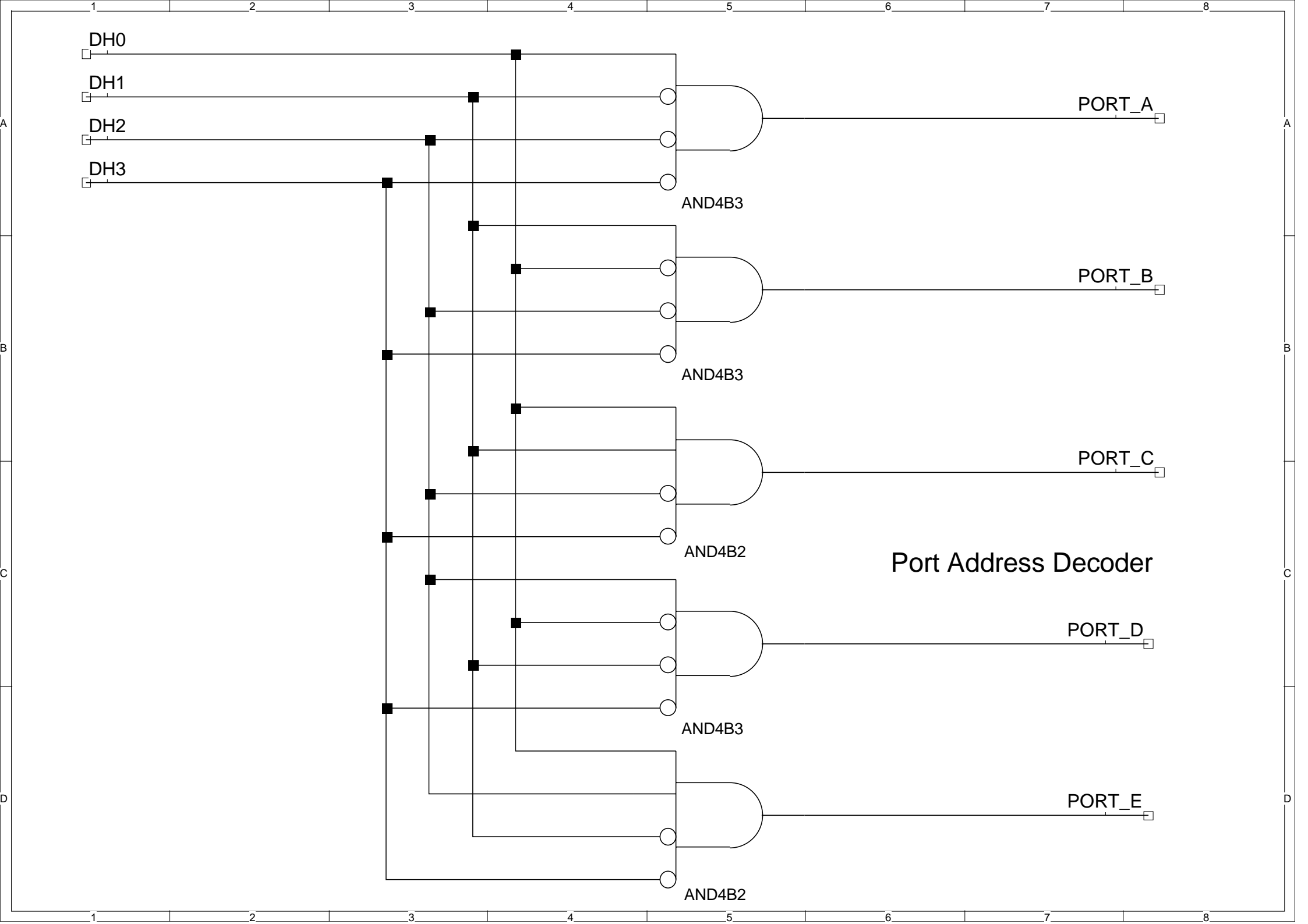
DH1

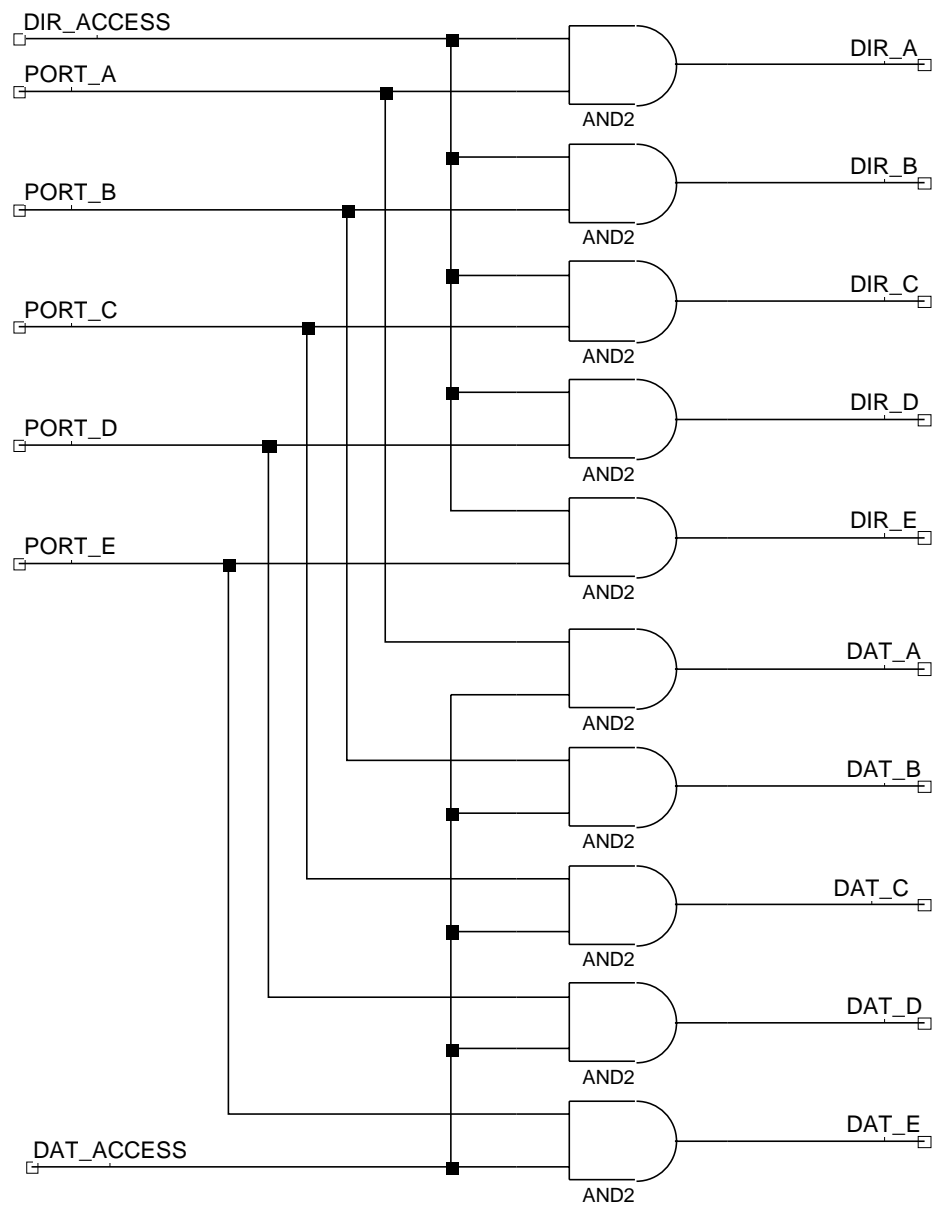
AND2

AND2B2

READ_ADRS







DIR/DAT Register Access Decoder

