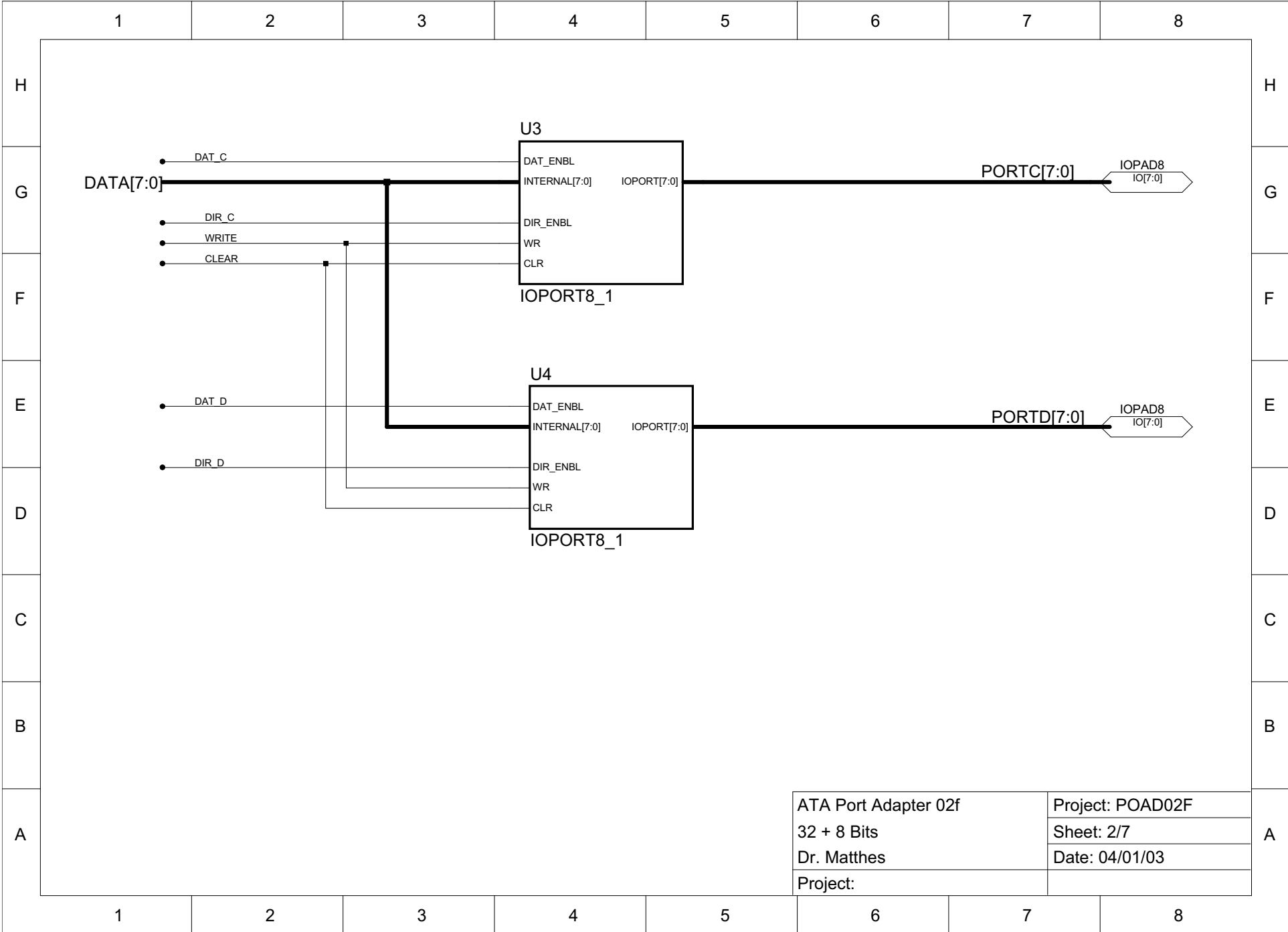


ATA port adapter 02f

IDE 32 + 8

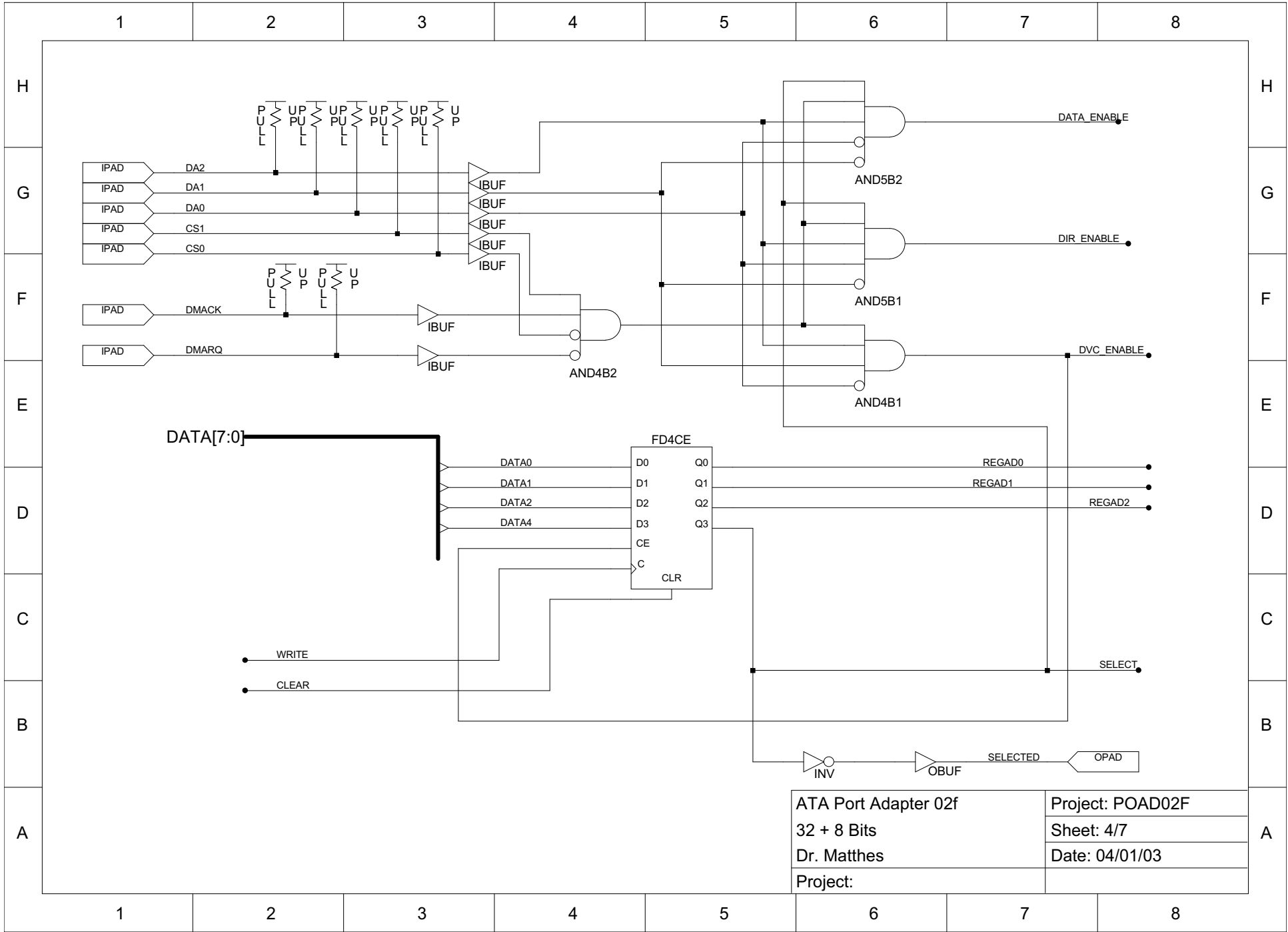
ATA Port Adapter 02f	Project: POAD02F
32 + 8 Bits	Sheet: 1/7
Dr. Matthes	Date: 01/07/03
Project: Portadapter 02f (IDE/32)	

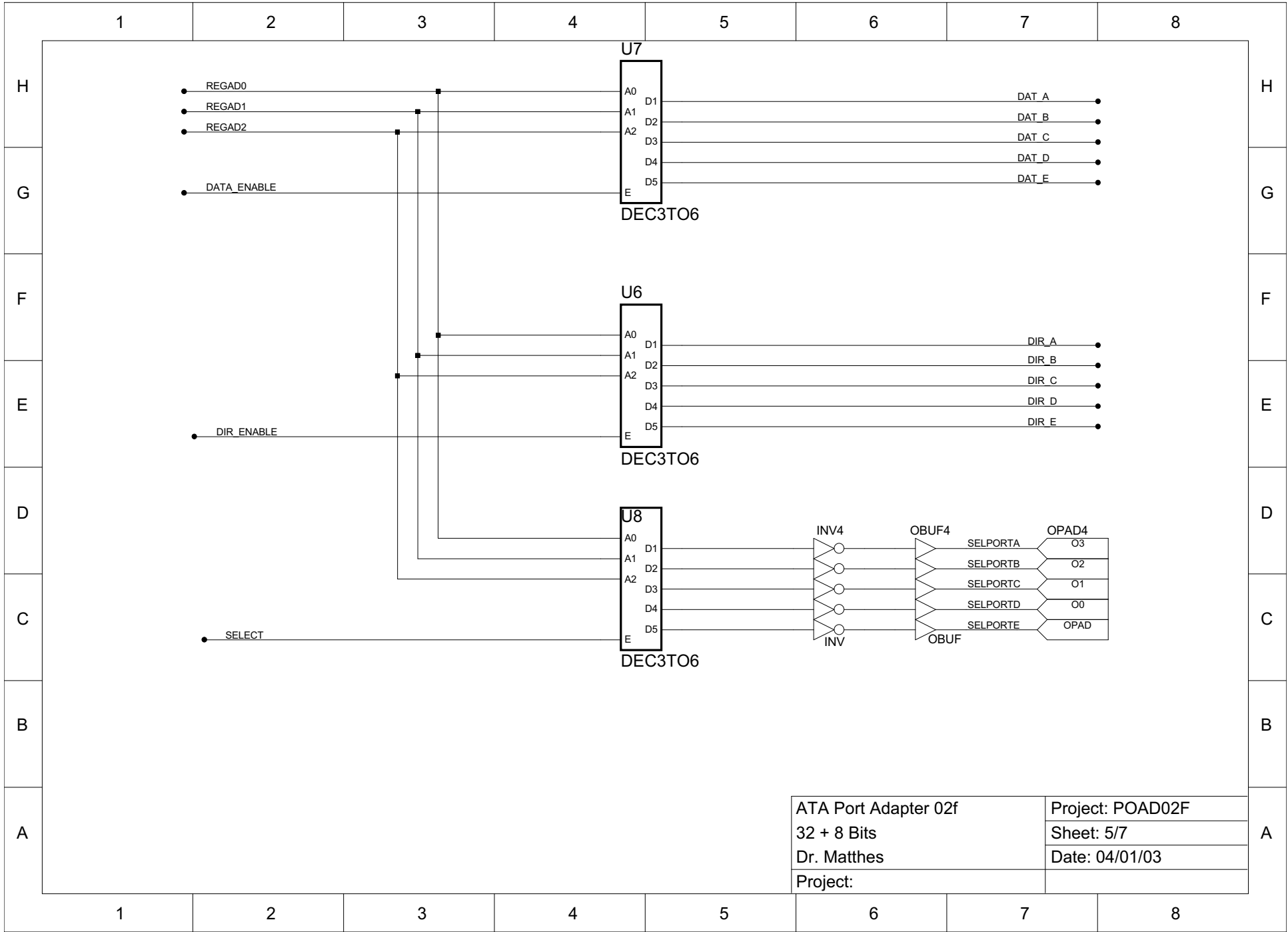


ATA Port Adapter 02f
 32 + 8 Bits
 Dr. Matthes
 Project:

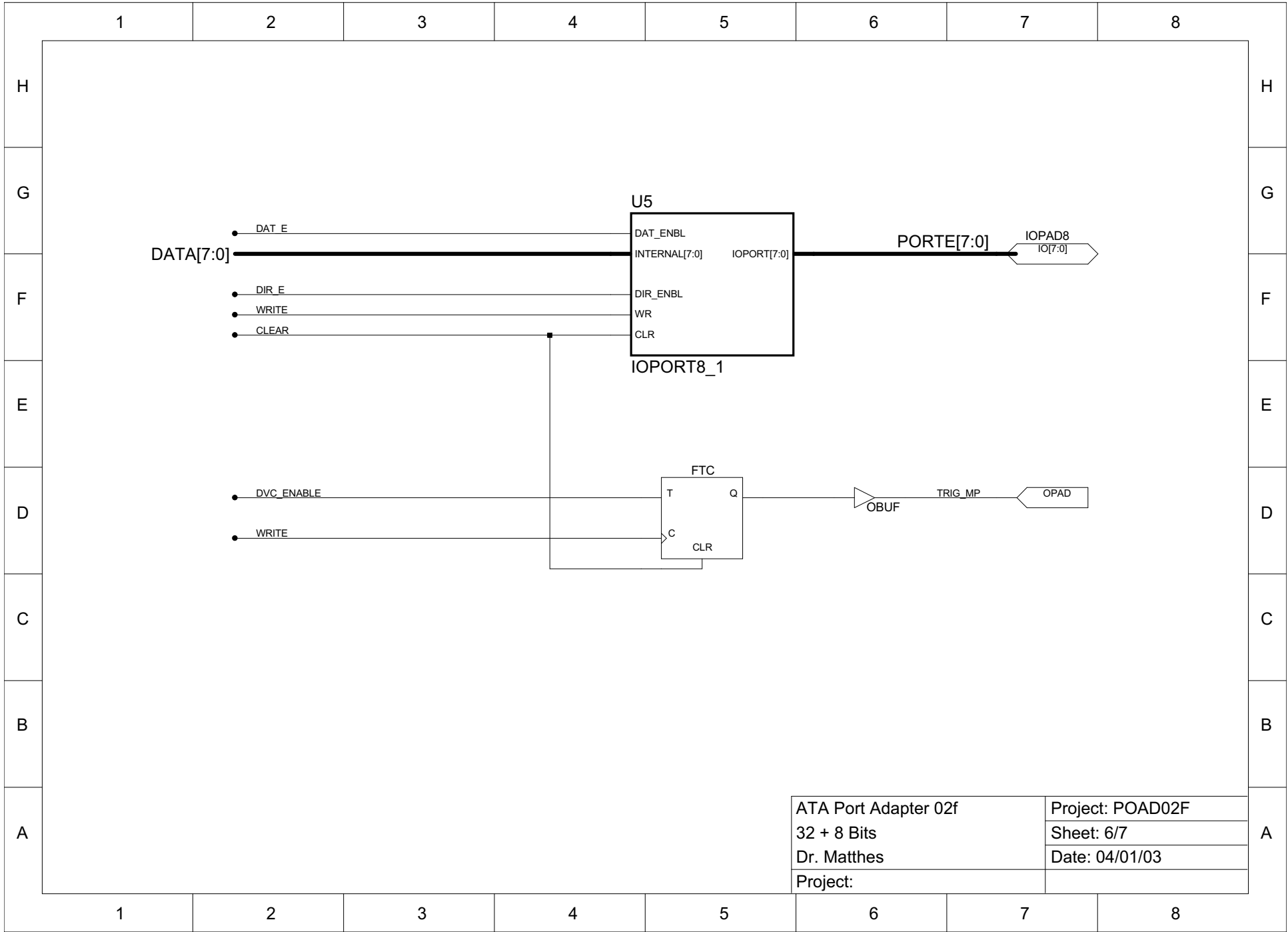
Project: POAD02F
 Sheet: 2/7
 Date: 04/01/03

A

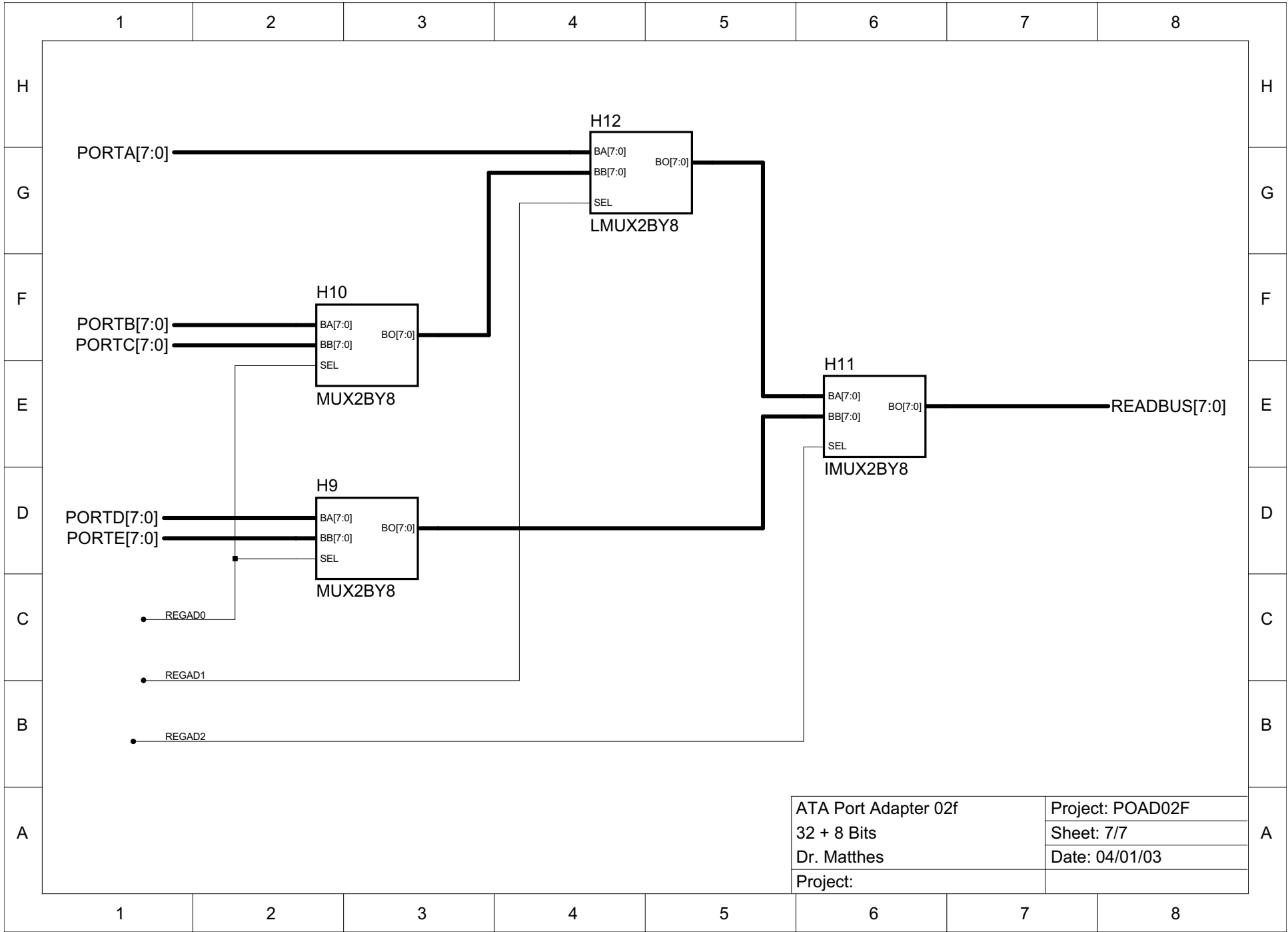




ATA Port Adapter 02f	Project: POAD02F
32 + 8 Bits	Sheet: 5/7
Dr. Matthes	Date: 04/01/03
Project:	



ATA Port Adapter 02f	Project: POAD02F
32 + 8 Bits	Sheet: 6/7
Dr. Matthes	Date: 04/01/03
Project:	



ATA Port Adapter 02f
 32 + 8 Bits
 Dr. Matthes
 Project:

Project: POAD02F
 Sheet: 7/7
 Date: 04/01/03

A