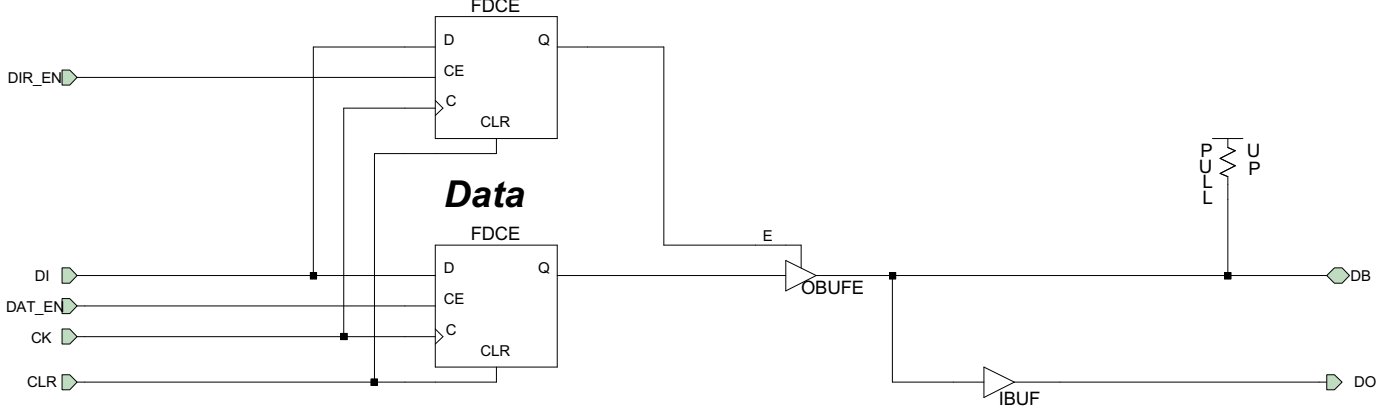


1 2 3 4 5 6 7 8

H H



G G

F F

E E

Macro geändert. Entspricht jetzt PORTBIT02
Alle Ports verhalten sich jetzt gleichartig

D D

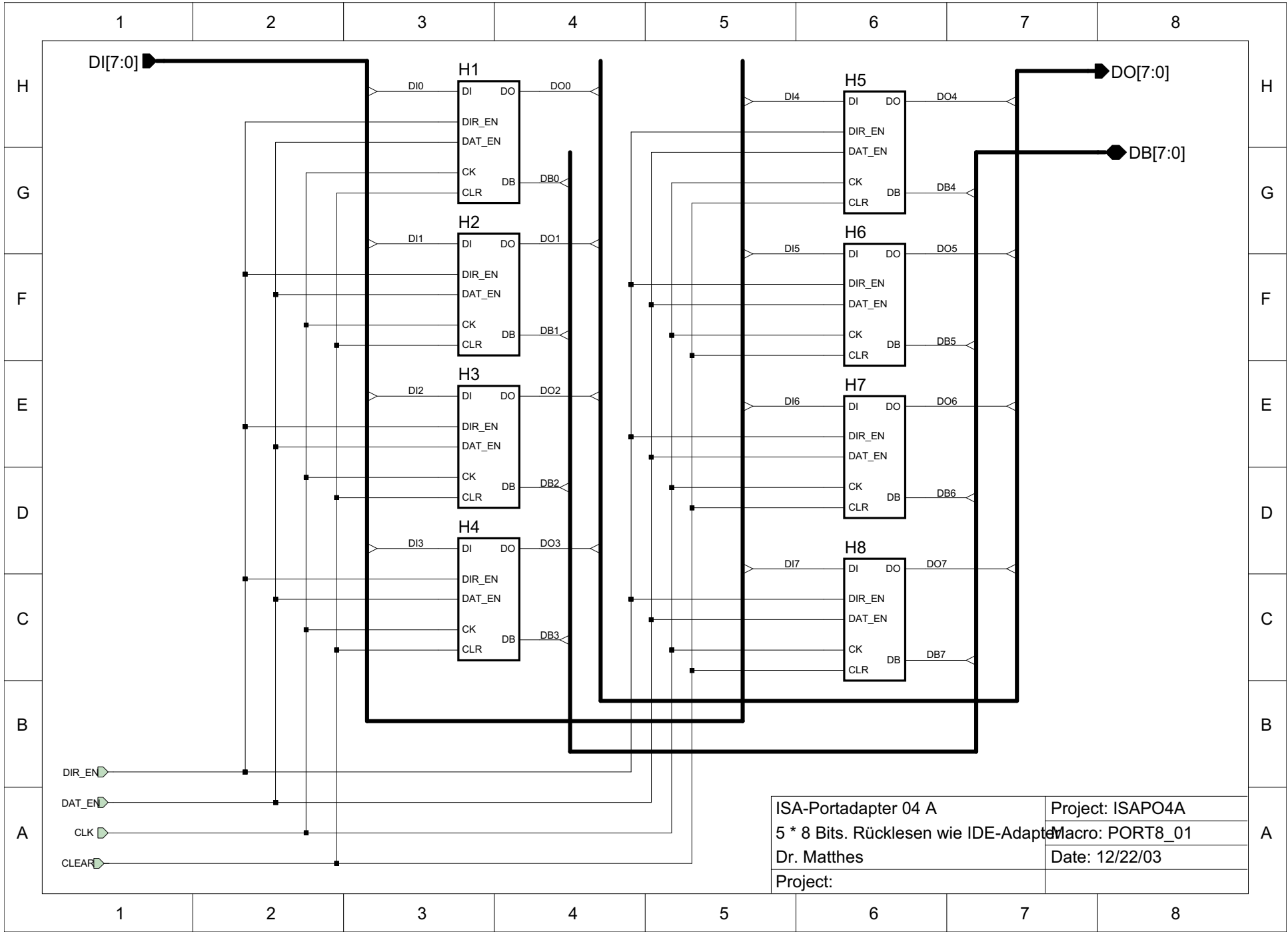
C C

B B

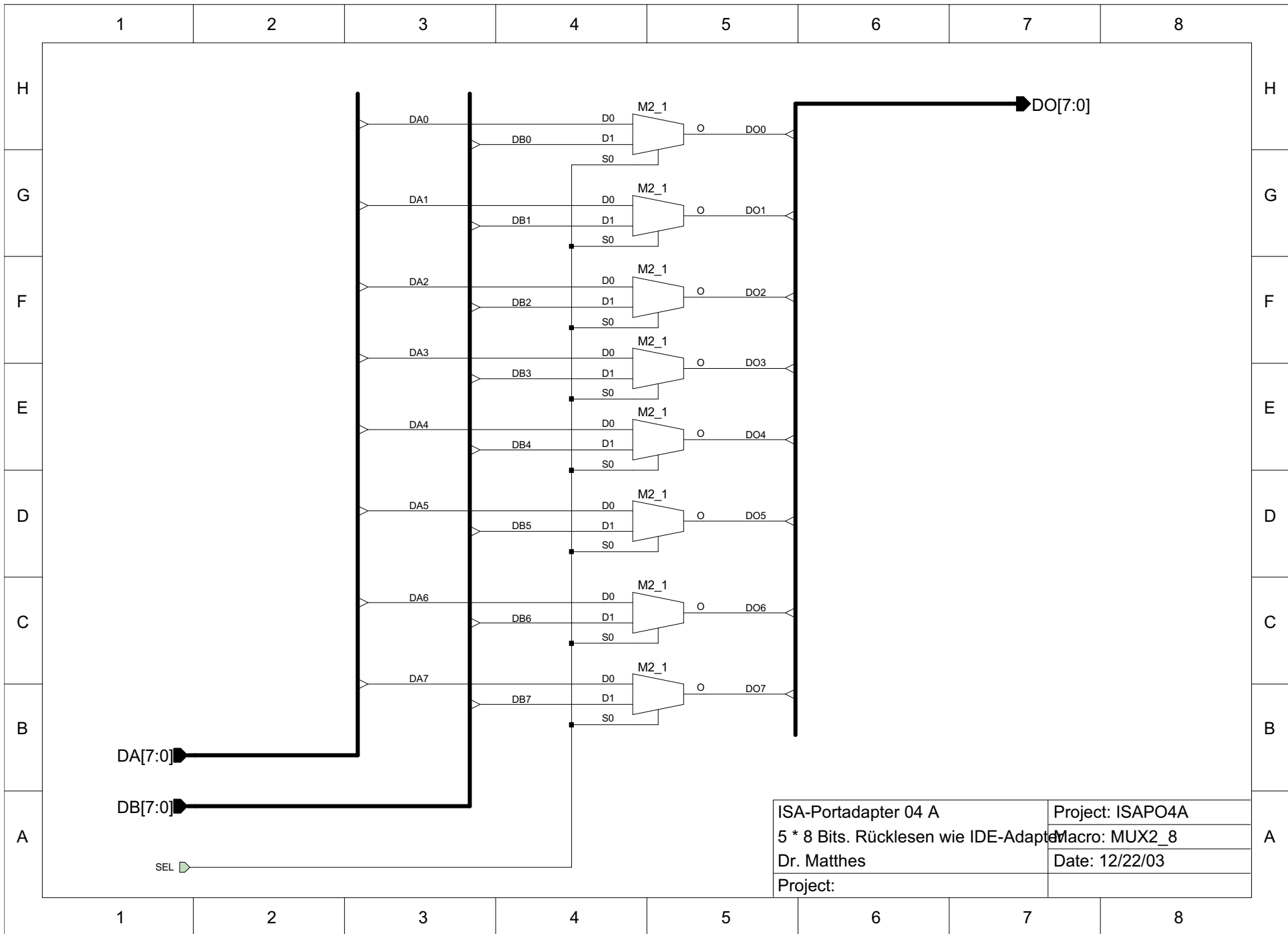
ISA-Portadapter 04 A	Project: ISAPO4A
5 * 8 Bits. Rücklesen wie IDE-Adapter	Macro: PORTBIT01
Dr. Matthes	Date: 12/22/03
Project:	

A A

1 2 3 4 5 6 7 8



ISA-Portadapter 04 A	Project: ISAPO4A
5 * 8 Bits. Rücklesen wie IDE-Adapter	Macro: PORT8_01
Dr. Matthes	Date: 12/22/03
Project:	



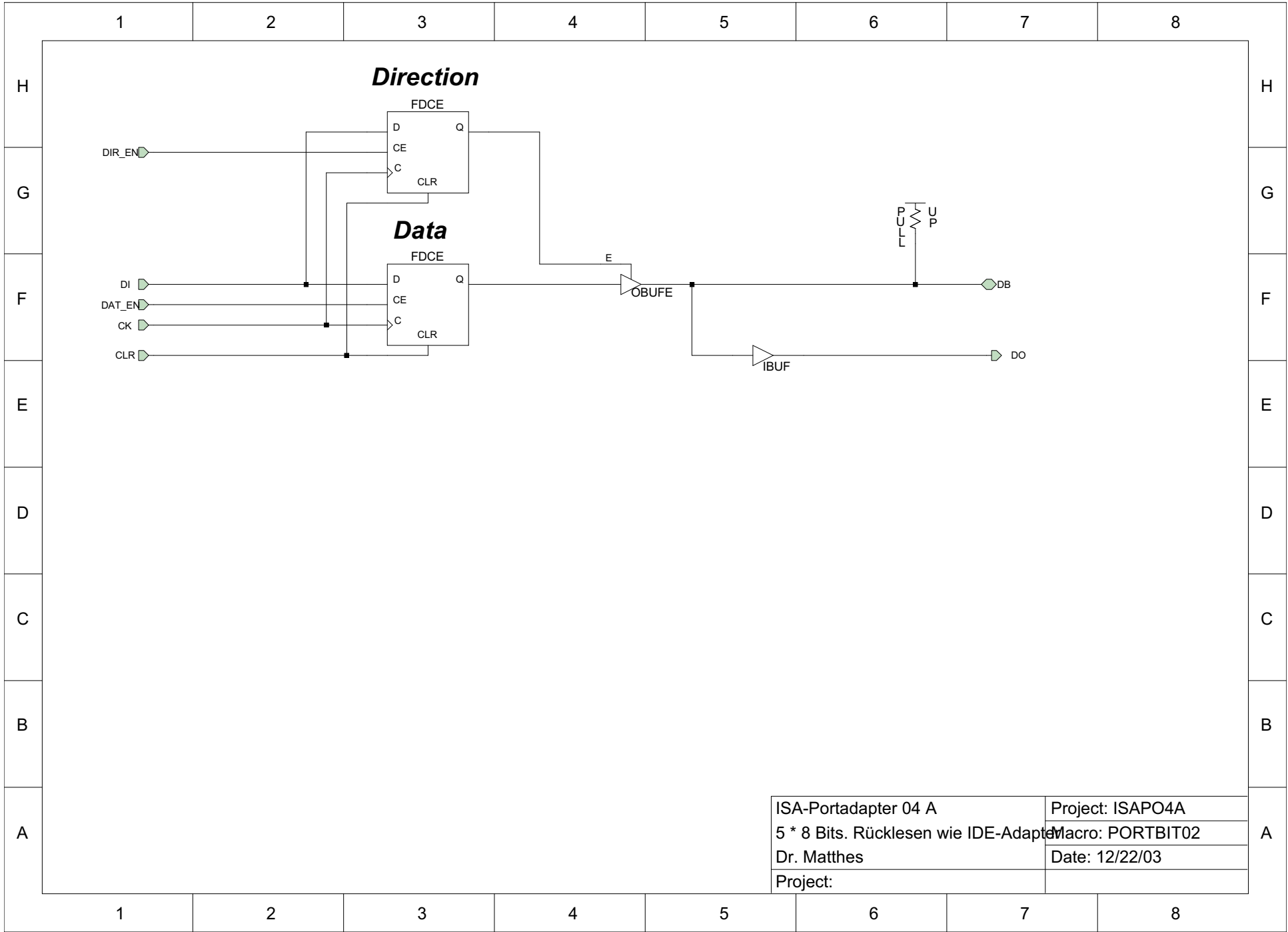
ISA-Portadapter 04 A
 5 * 8 Bits. Rücklesen wie IDE-Adapter
 Dr. Matthes
 Project:

Project: ISAPO4A
 Macro: MUX2_8
 Date: 12/22/03

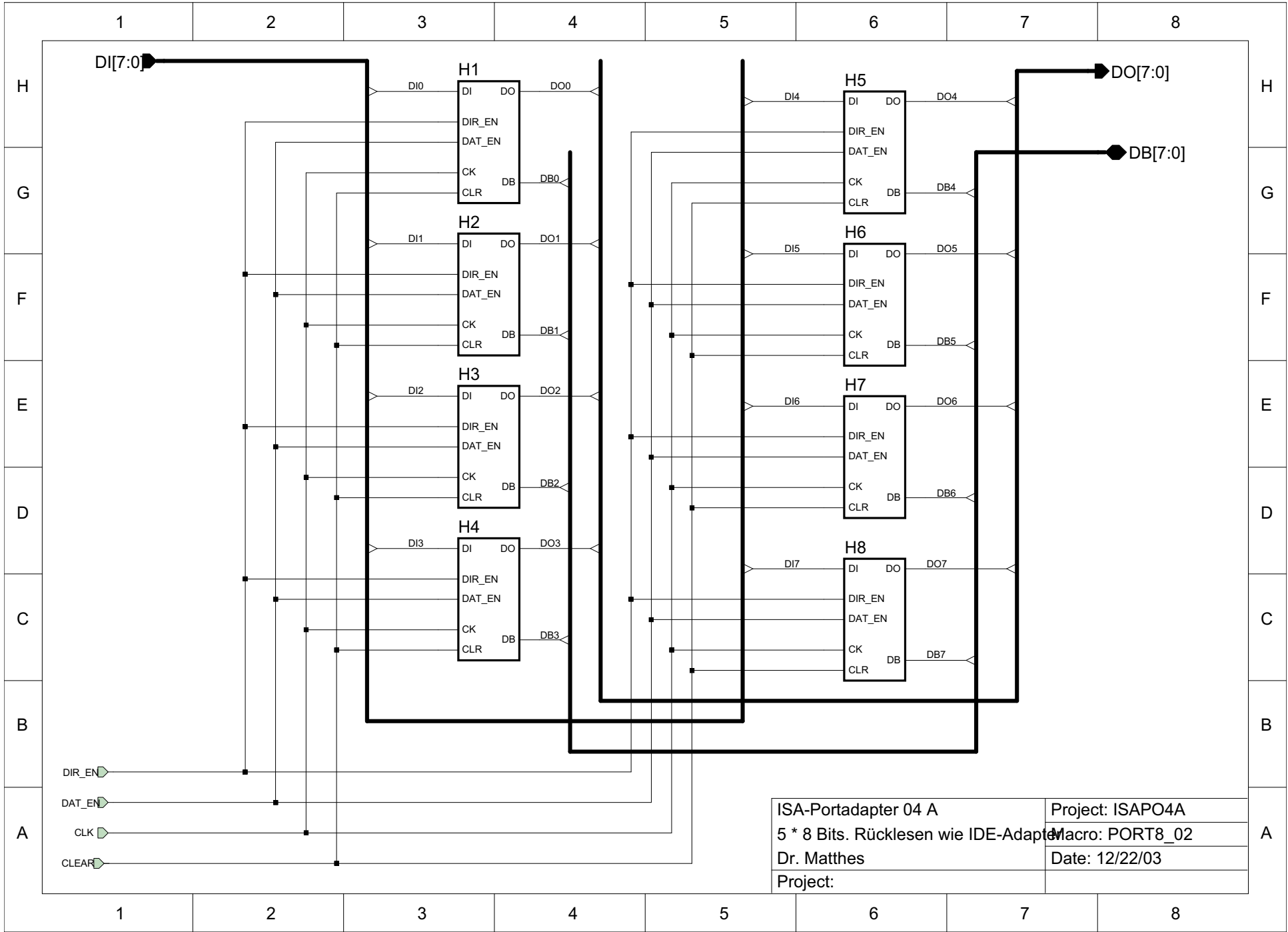
H
G
F
E
D
C
B
A

1 2 3 4 5 6 7 8

1 2 3 4 5 6 7 8



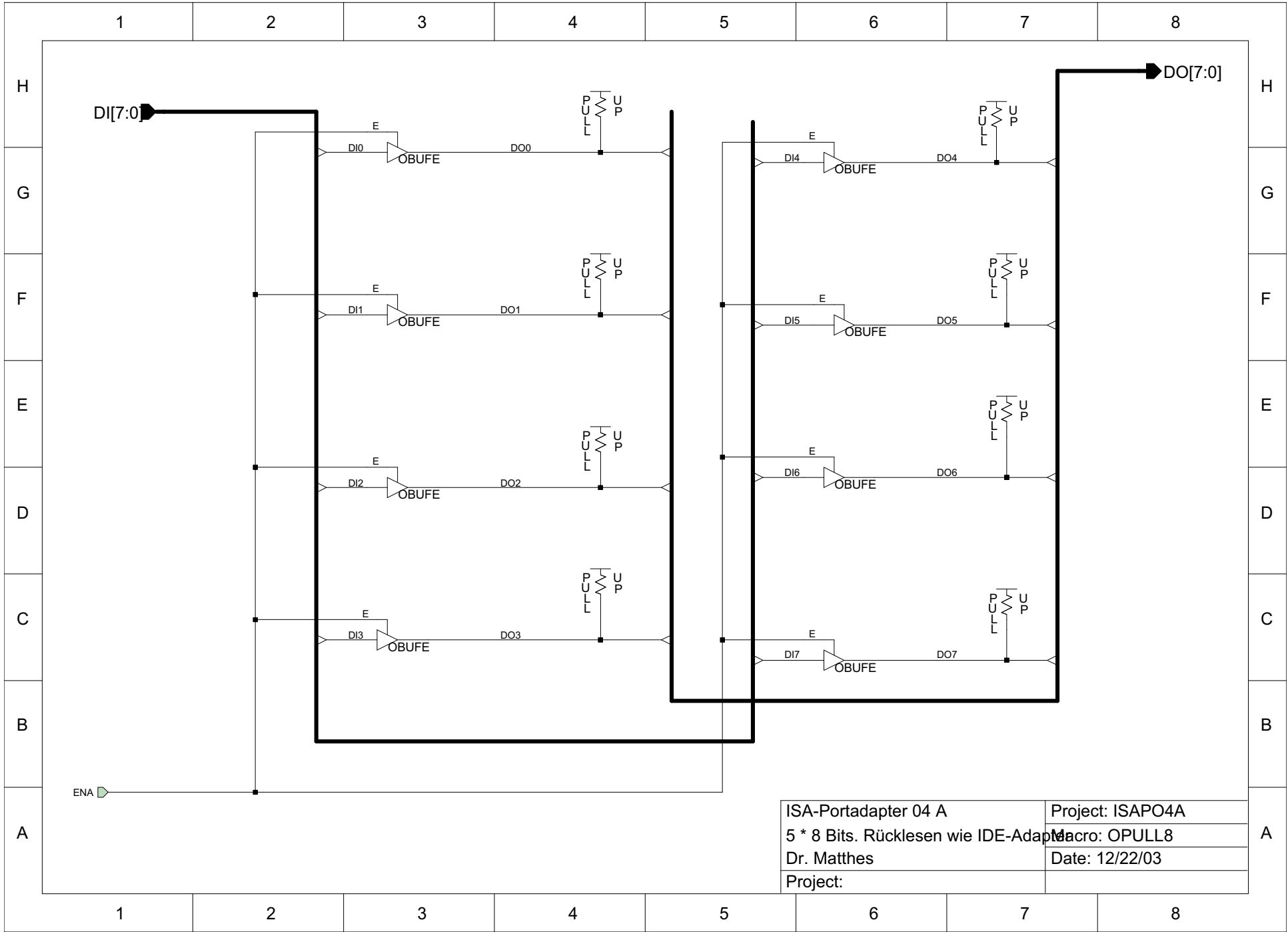
ISA-Portadapter 04 A	Project: ISAPO4A
5 * 8 Bits. Rücklesen wie IDE-Adapter	Macro: PORTBIT02
Dr. Matthes	Date: 12/22/03
Project:	



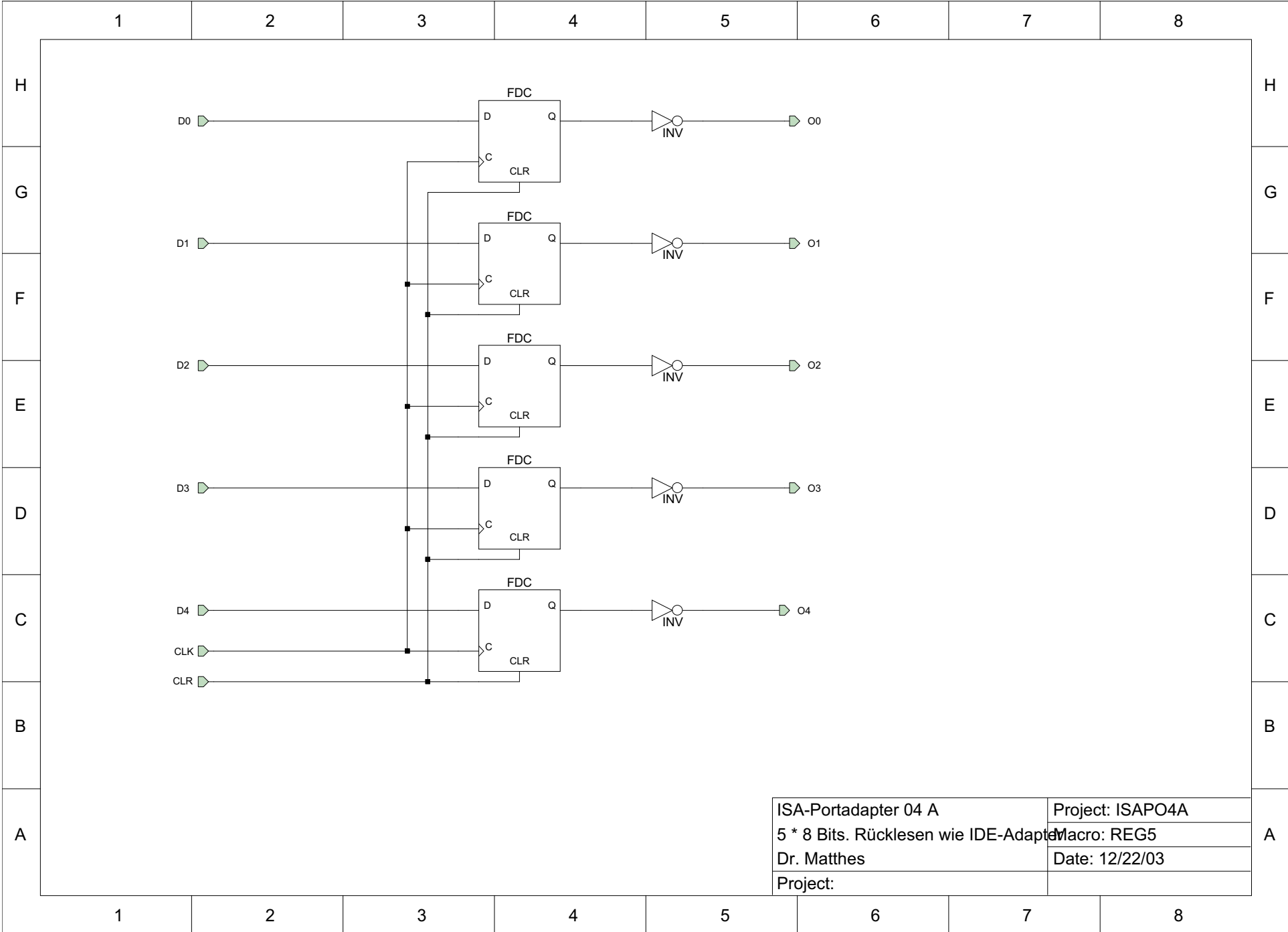
ISA-Portadapter 04 A
 5 * 8 Bits. Rücklesen wie IDE-Adapter
 Dr. Matthes
 Project:

Project: ISAPO4A
 Macro: PORT8_02
 Date: 12/22/03

A



ISA-Portadapter 04 A	Project: ISAPO4A
5 * 8 Bits. Rücklesen wie IDE-Adapter	Macro: OPULL8
Dr. Matthes	Date: 12/22/03
Project:	



ISA-Portadapter 04 A	Project: ISAPO4A
5 * 8 Bits. Rücklesen wie IDE-Adapter	Macro: REG5
Dr. Matthes	Date: 12/22/03
Project:	