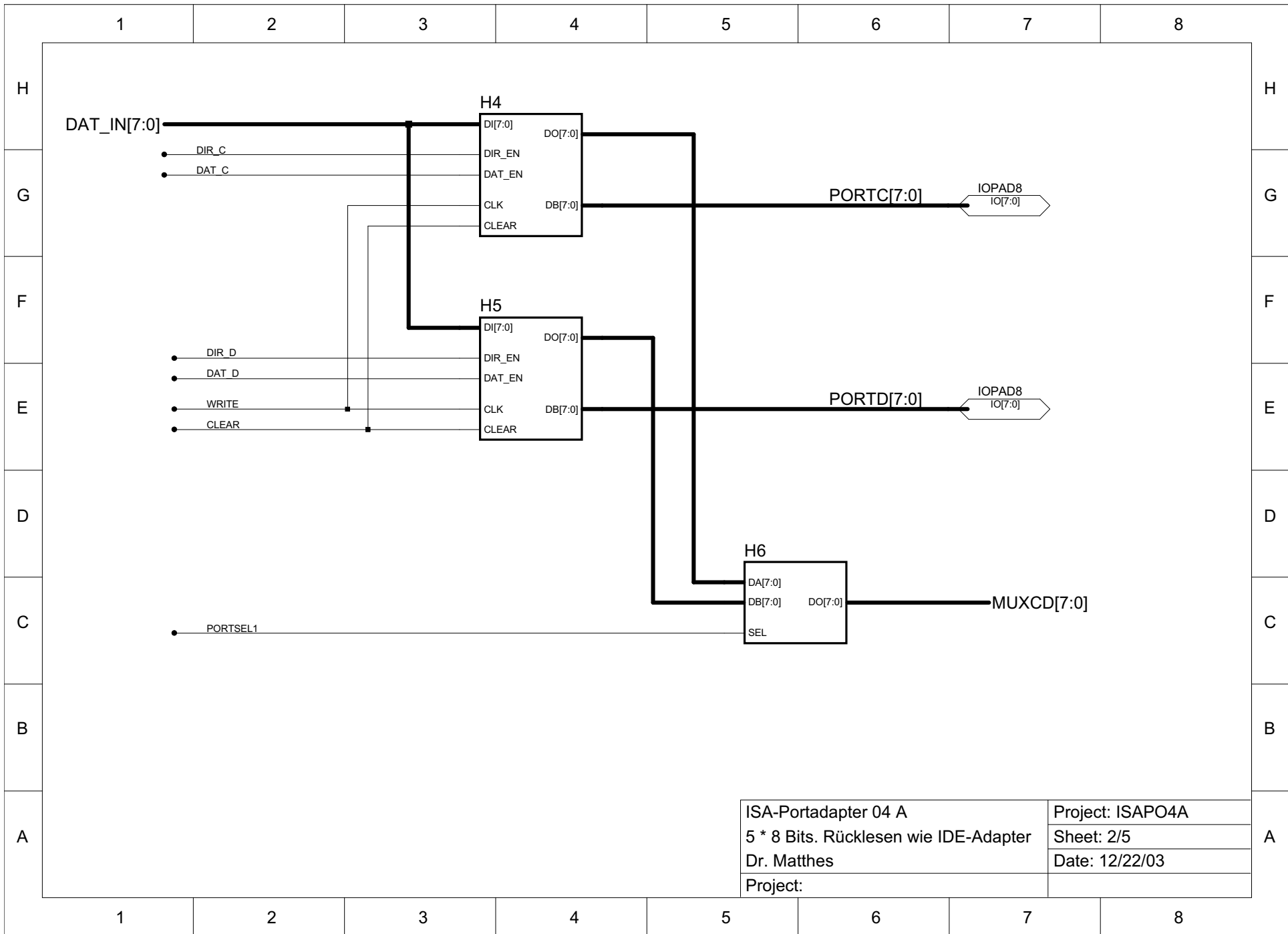


ISA-Portadapter Typ 4
5 Ports zu 8 Bits

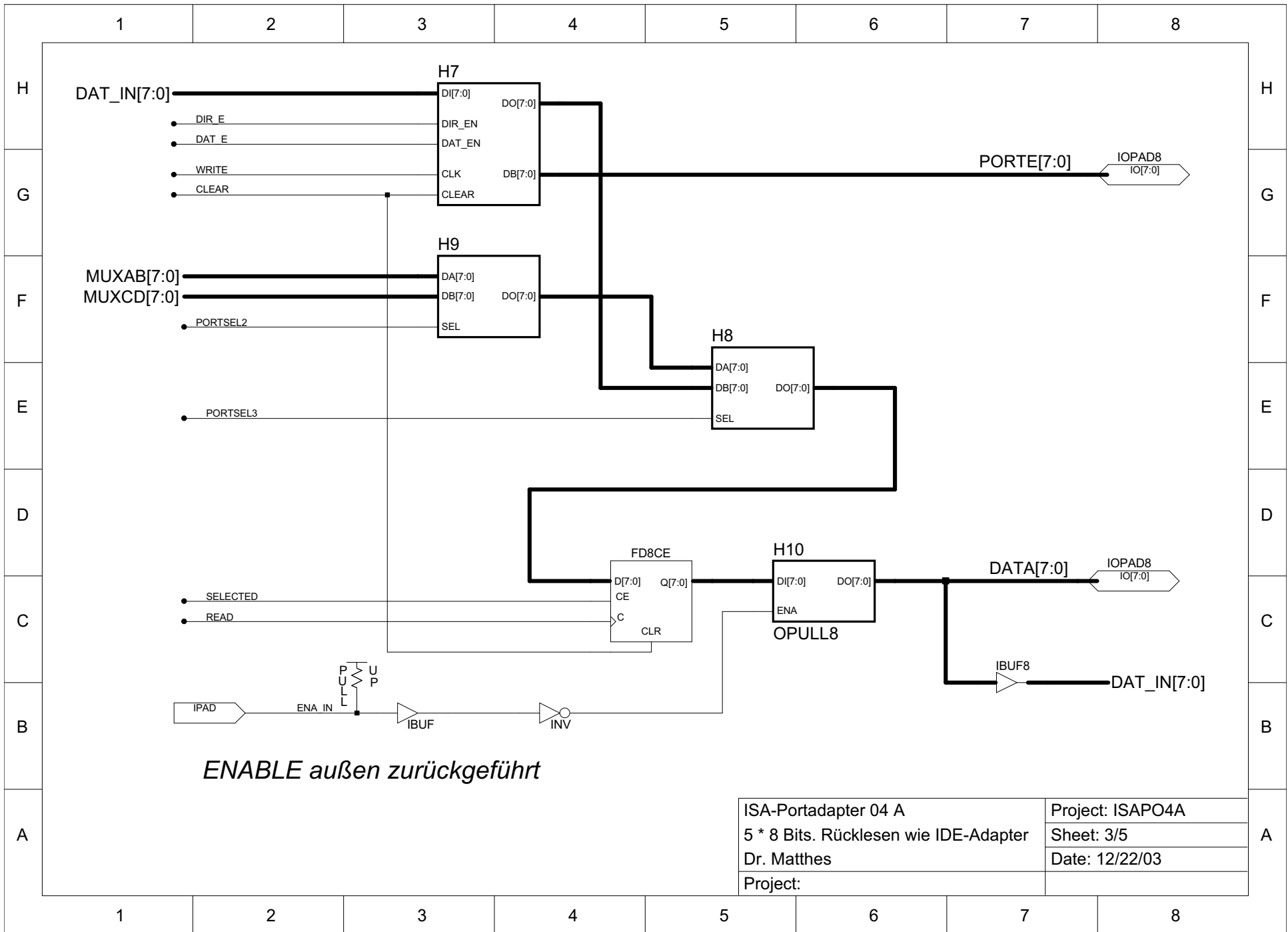
Alle Ports mit Rückleseverhalten wie IDE-Adapter
Es wird stets die Portbelegung zurückgelesen

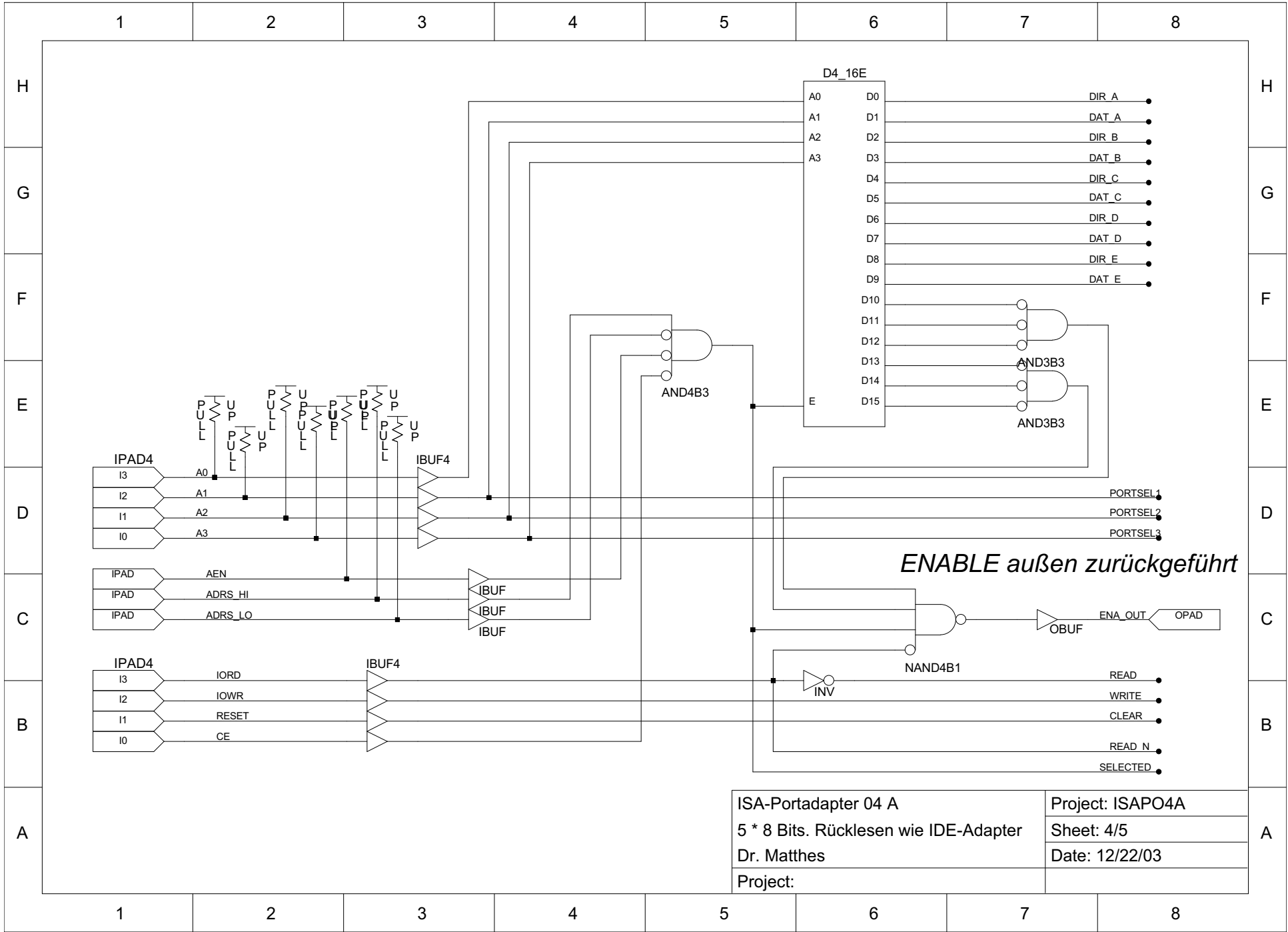
ISA-Portadapter 04 A	Project: ISAPO4A
5 * 8 Bits. Rücklesen wie IDE-Adapter	Sheet: 1/5
Dr. Matthes	Date: 12/22/03
Project: ISAPO4A	



ISA-Portadapter 04 A
5 * 8 Bits. Rücklesen wie IDE-Adapter
Dr. Matthes
Project:

Project: ISAPO4A
Sheet: 2/5
Date: 12/22/03

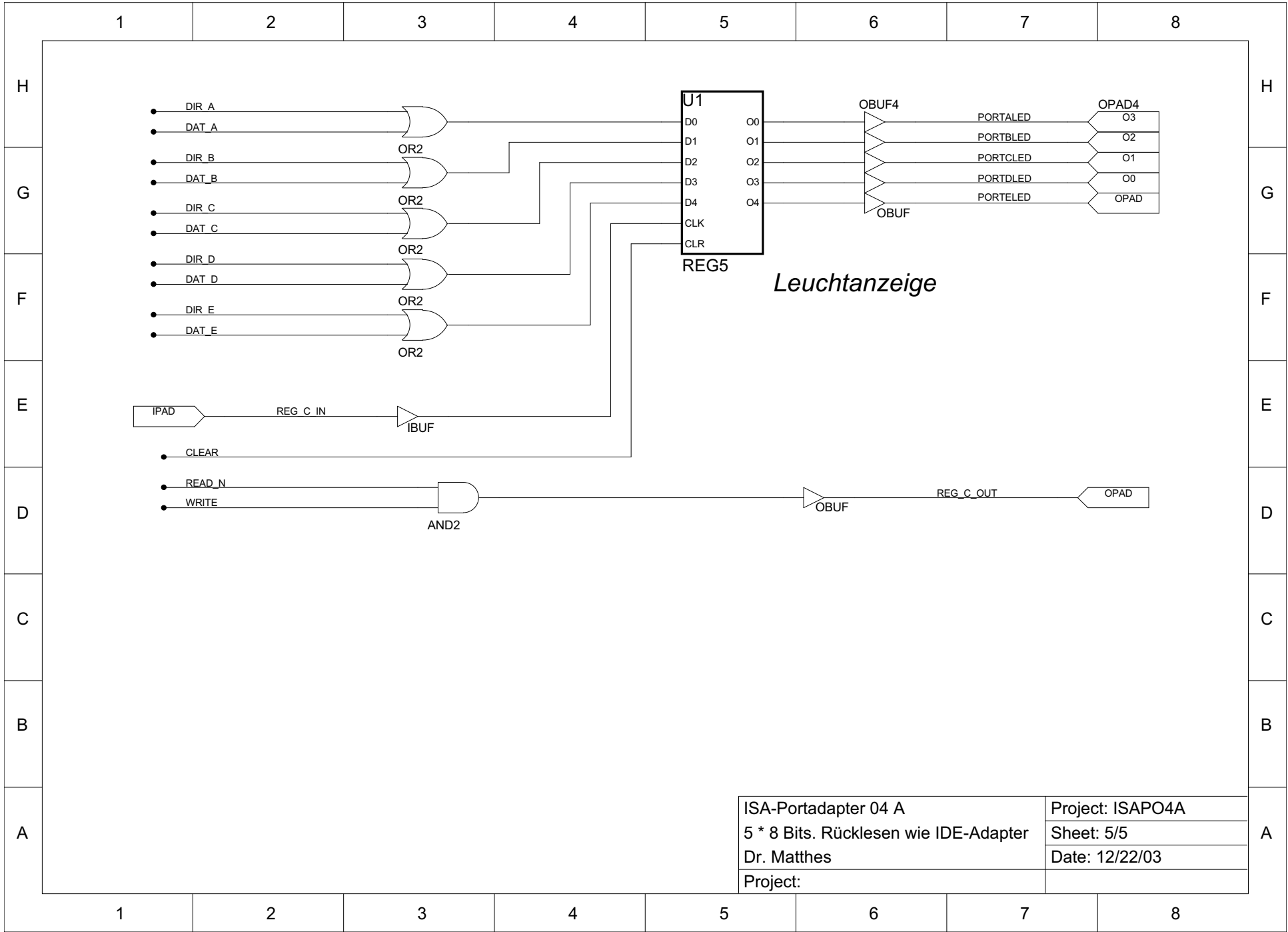




ISA-Portadapter 04 A
 5 * 8 Bits. Rücklesen wie IDE-Adapter
 Dr. Matthes
 Project:

Project: ISAPO4A
 Sheet: 4/5
 Date: 12/22/03

A



ISA-Portadapter 04 A	Project: ISAPO4A
5 * 8 Bits. Rücklesen wie IDE-Adapter	Sheet: 5/5
Dr. Matthes	Date: 12/22/03
Project:	