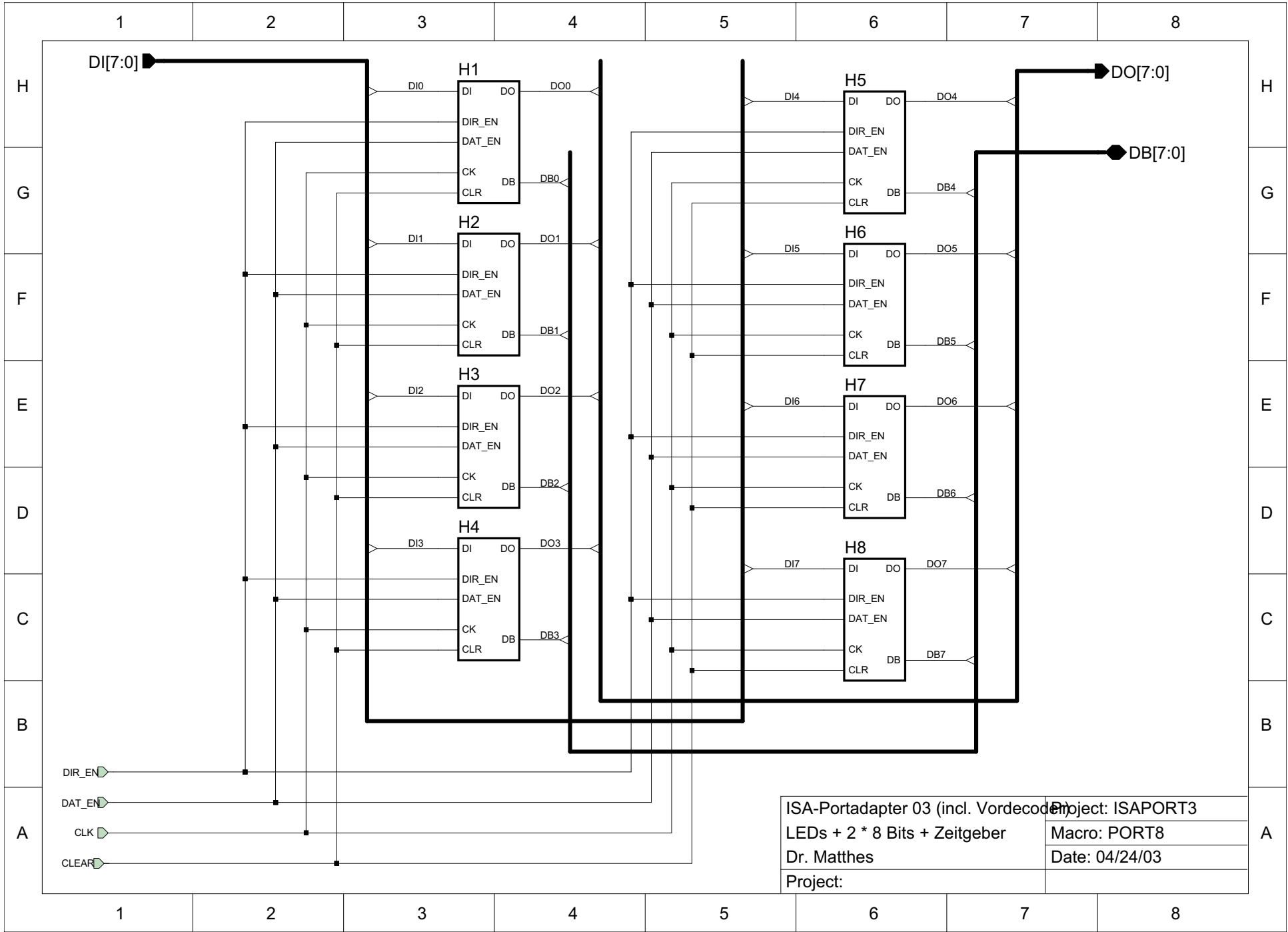
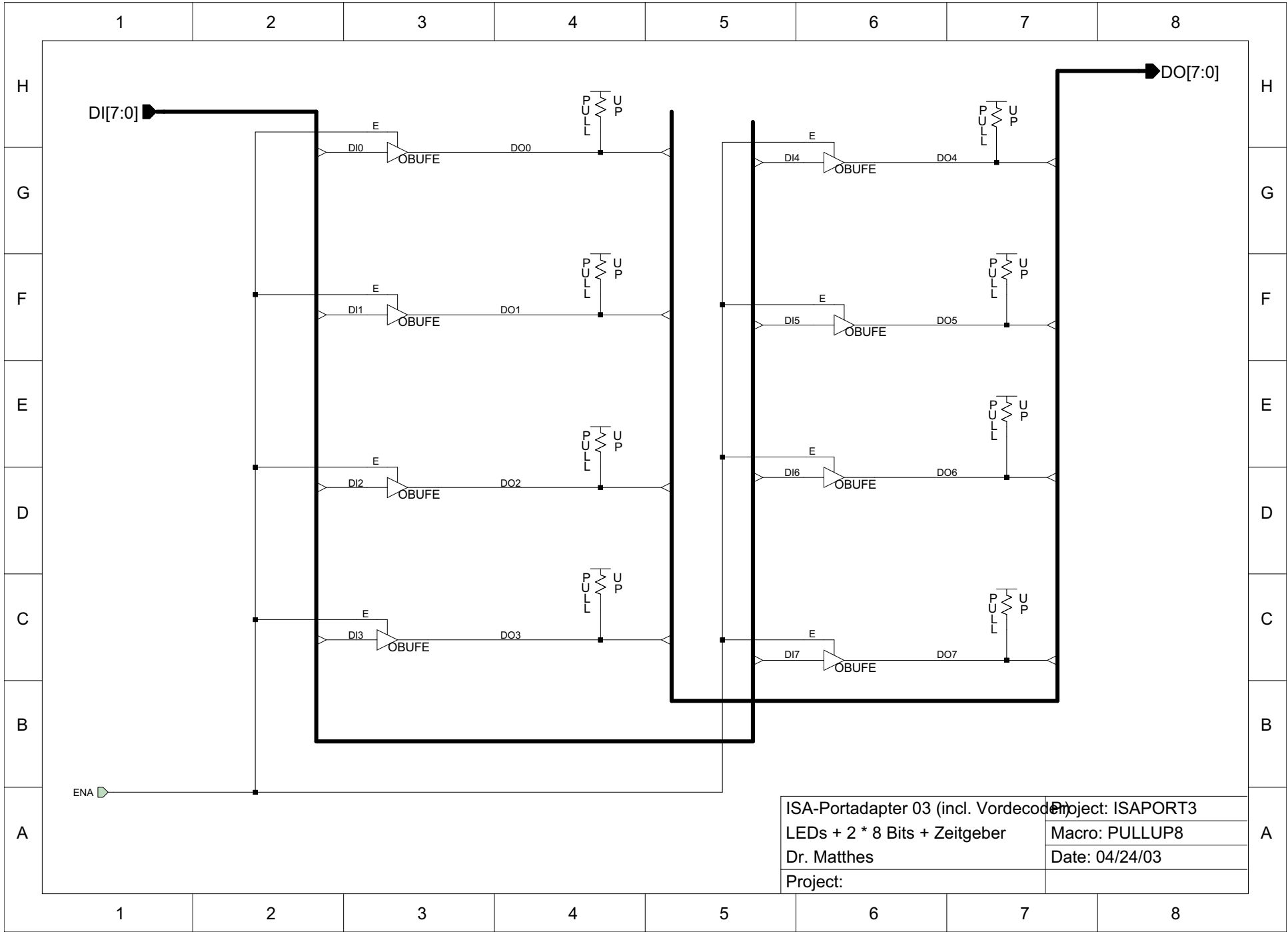


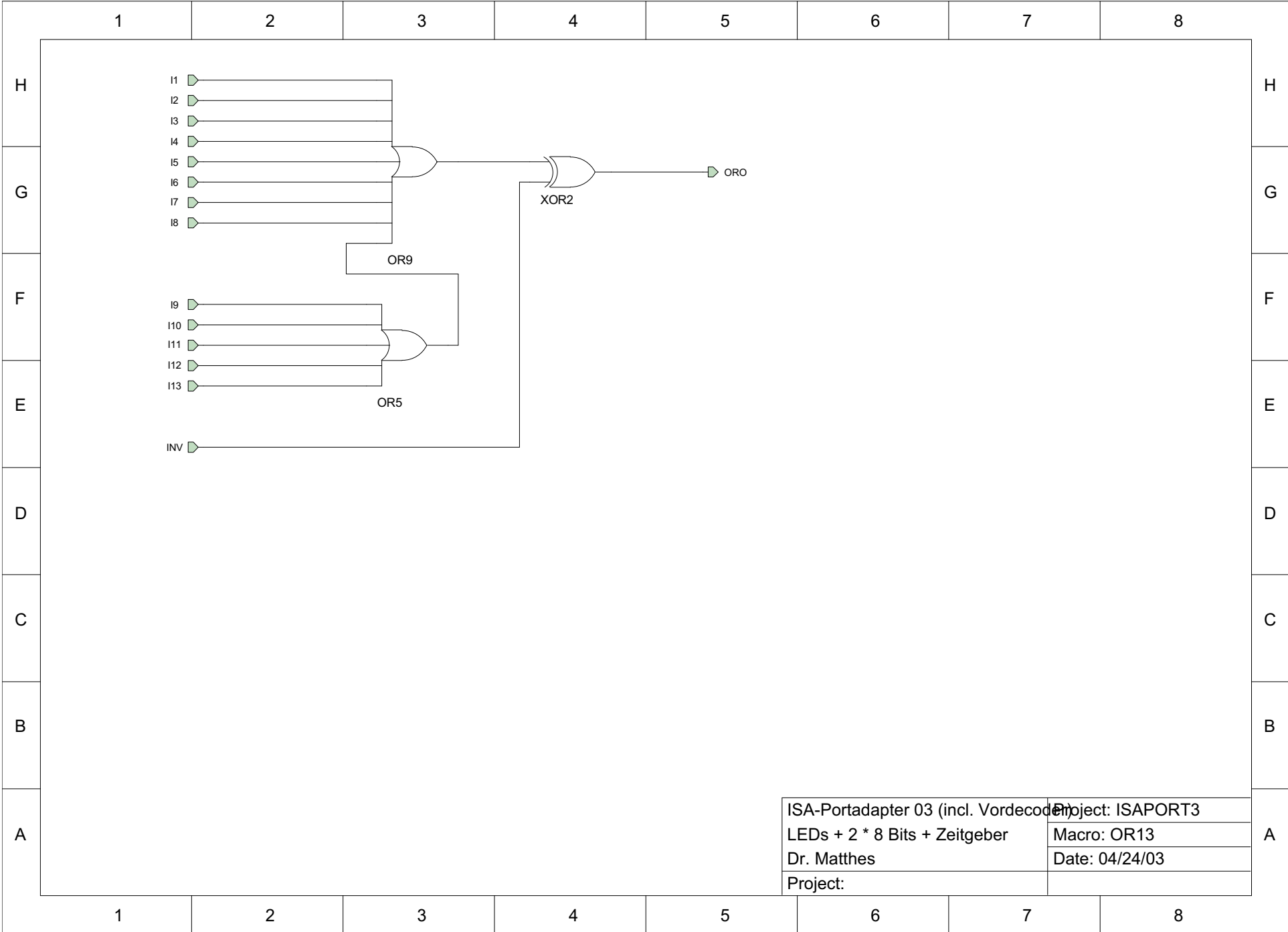
| | |
|---------------------------------------|-------------------|
| ISA-Portadapter 03 (incl. Vordecoder) | Project: ISAPORT3 |
| LEDs + 2 * 8 Bits + Zeitgeber | Macro: PORTBIT02 |
| Dr. Matthes | Date: 04/24/03 |
| Project: | |



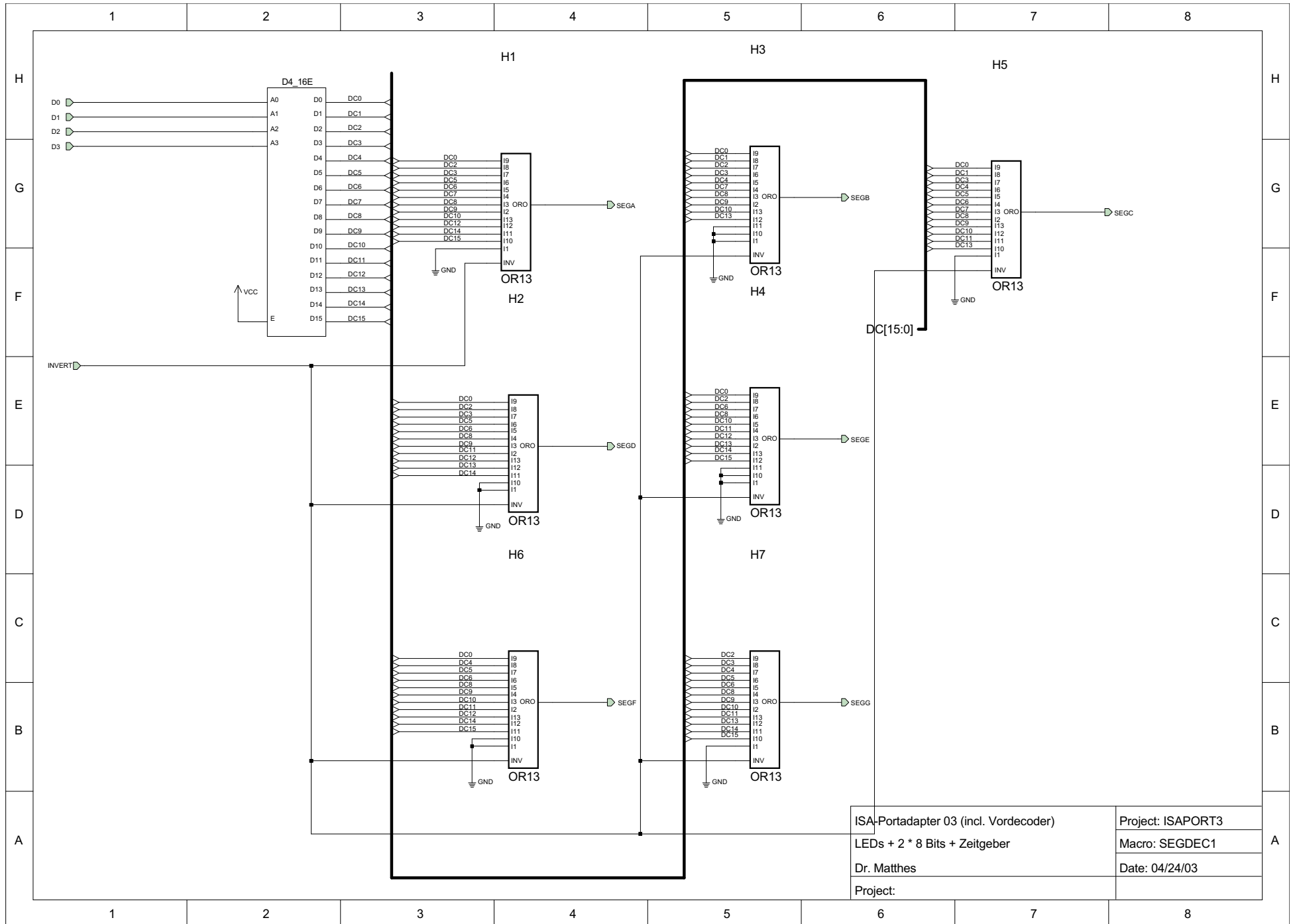
| | |
|---------------------------------------|-------------------|
| ISA-Portadapter 03 (incl. Vordecoder) | Project: ISAPORT3 |
| LEDs + 2 * 8 Bits + Zeitgeber | Macro: PORT8 |
| Dr. Matthes | Date: 04/24/03 |
| Project: | |



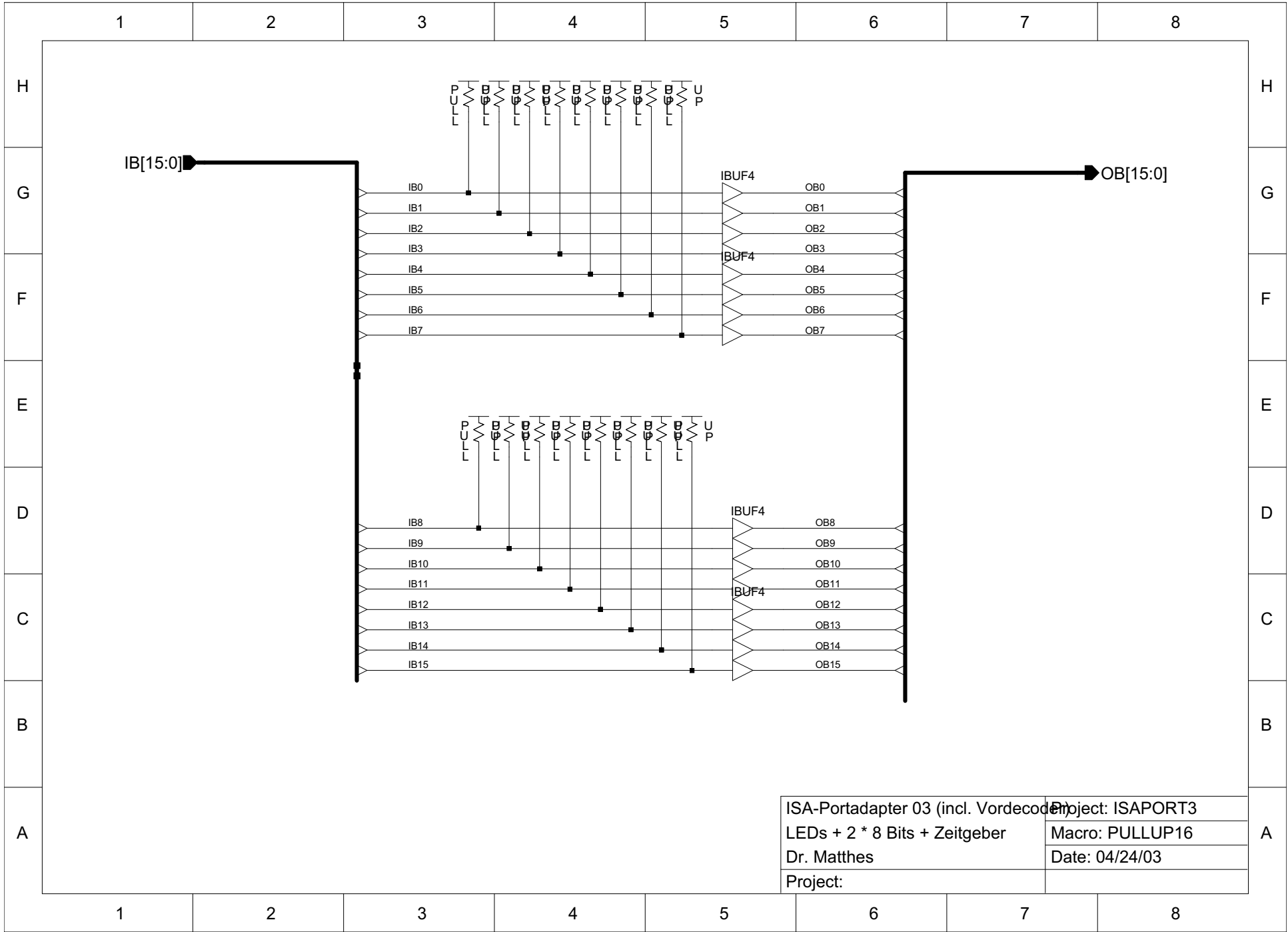
| | |
|---------------------------------------|-------------------|
| ISA-Portadapter 03 (incl. Vordecoder) | Project: ISAPORT3 |
| LEDs + 2 * 8 Bits + Zeitgeber | Macro: PULLUP8 |
| Dr. Matthes | Date: 04/24/03 |
| Project: | |



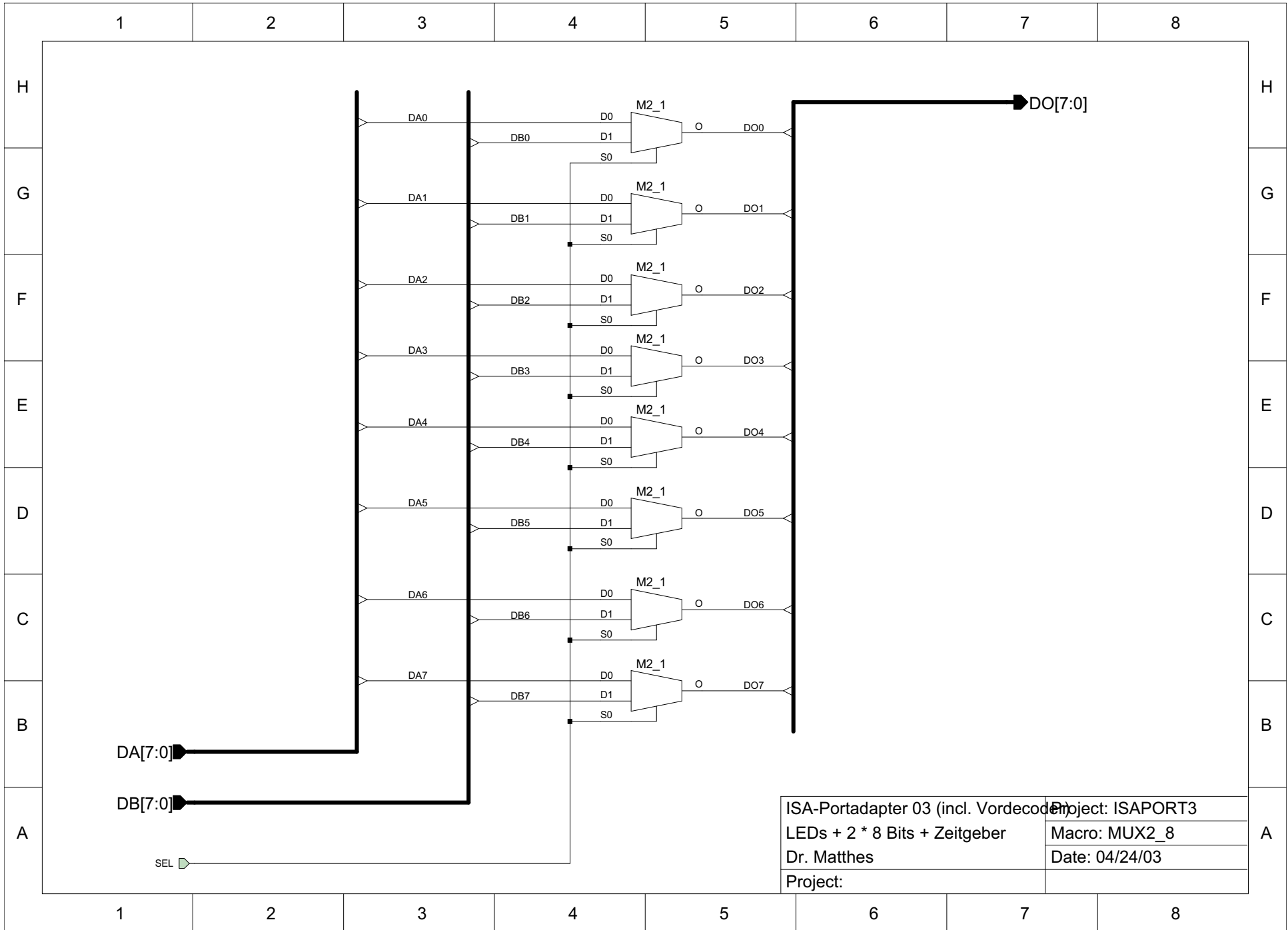
| | |
|---------------------------------------|-------------------|
| ISA-Portadapter 03 (incl. Vordecoder) | Project: ISAPORT3 |
| LEDs + 2 * 8 Bits + Zeitgeber | Macro: OR13 |
| Dr. Matthes | Date: 04/24/03 |
| Project: | |



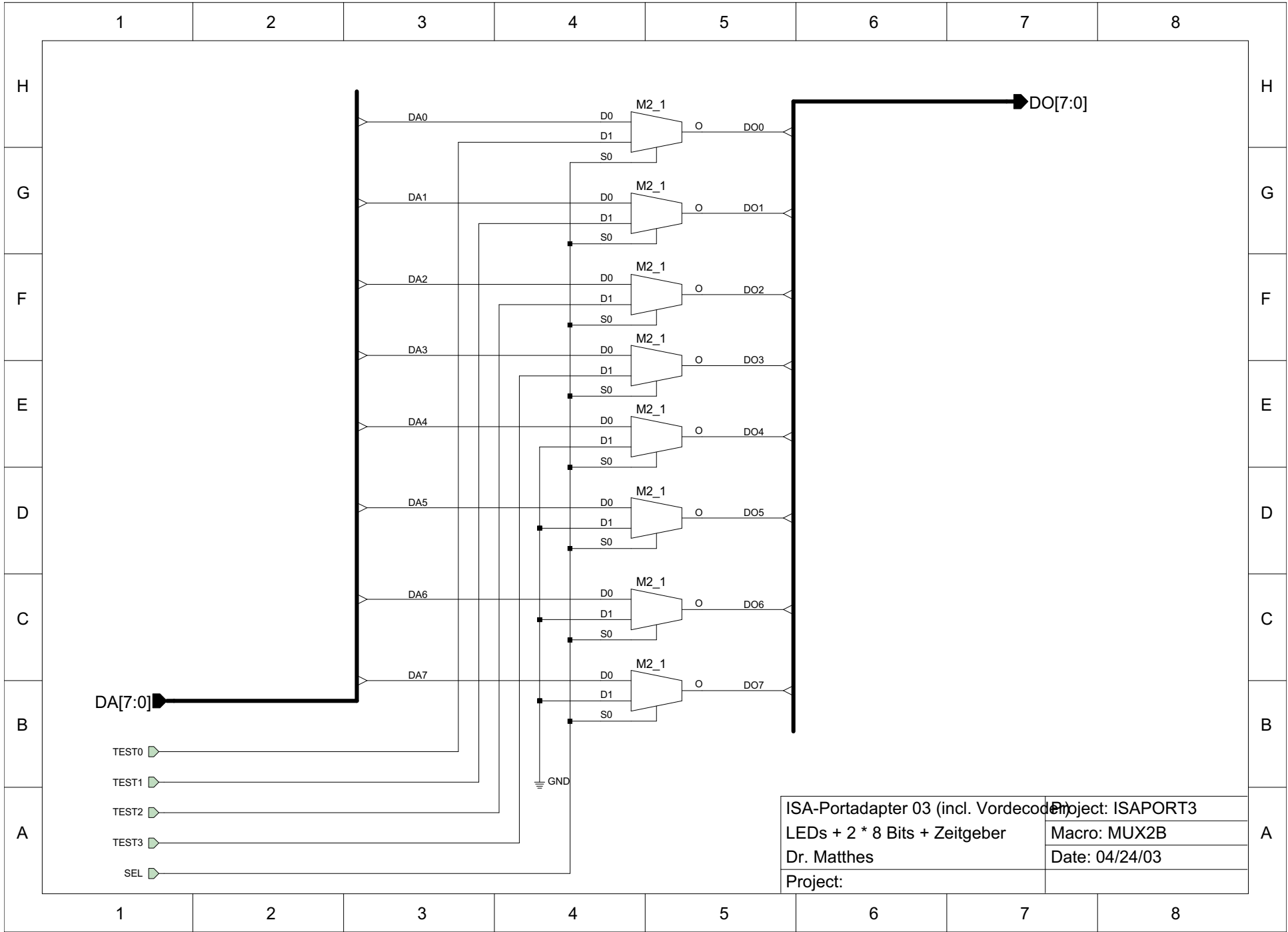
| | |
|---------------------------------------|-------------------|
| ISA-Portadapter 03 (incl. Vordecoder) | Project: ISAPORT3 |
| LEDs + 2 * 8 Bits + Zeitgeber | Macro: SEGDEC1 |
| Dr. Matthes | Date: 04/24/03 |
| Project: | |



| | |
|---------------------------------------|-------------------|
| ISA-Portadapter 03 (incl. Vordecoder) | Project: ISAPORT3 |
| LEDs + 2 * 8 Bits + Zeitgeber | Macro: PULLUP16 |
| Dr. Matthes | Date: 04/24/03 |
| Project: | |



| | |
|---------------------------------------|-------------------|
| ISA-Portadapter 03 (incl. Vordecoder) | Project: ISAPORT3 |
| LEDs + 2 * 8 Bits + Zeitgeber | Macro: MUX2_8 |
| Dr. Matthes | Date: 04/24/03 |
| Project: | |



| | |
|---------------------------------------|-------------------|
| ISA-Portadapter 03 (incl. Vordecoder) | Project: ISAPORT3 |
| LEDs + 2 * 8 Bits + Zeitgeber | Macro: MUX2B |
| Dr. Matthes | Date: 04/24/03 |
| Project: | |