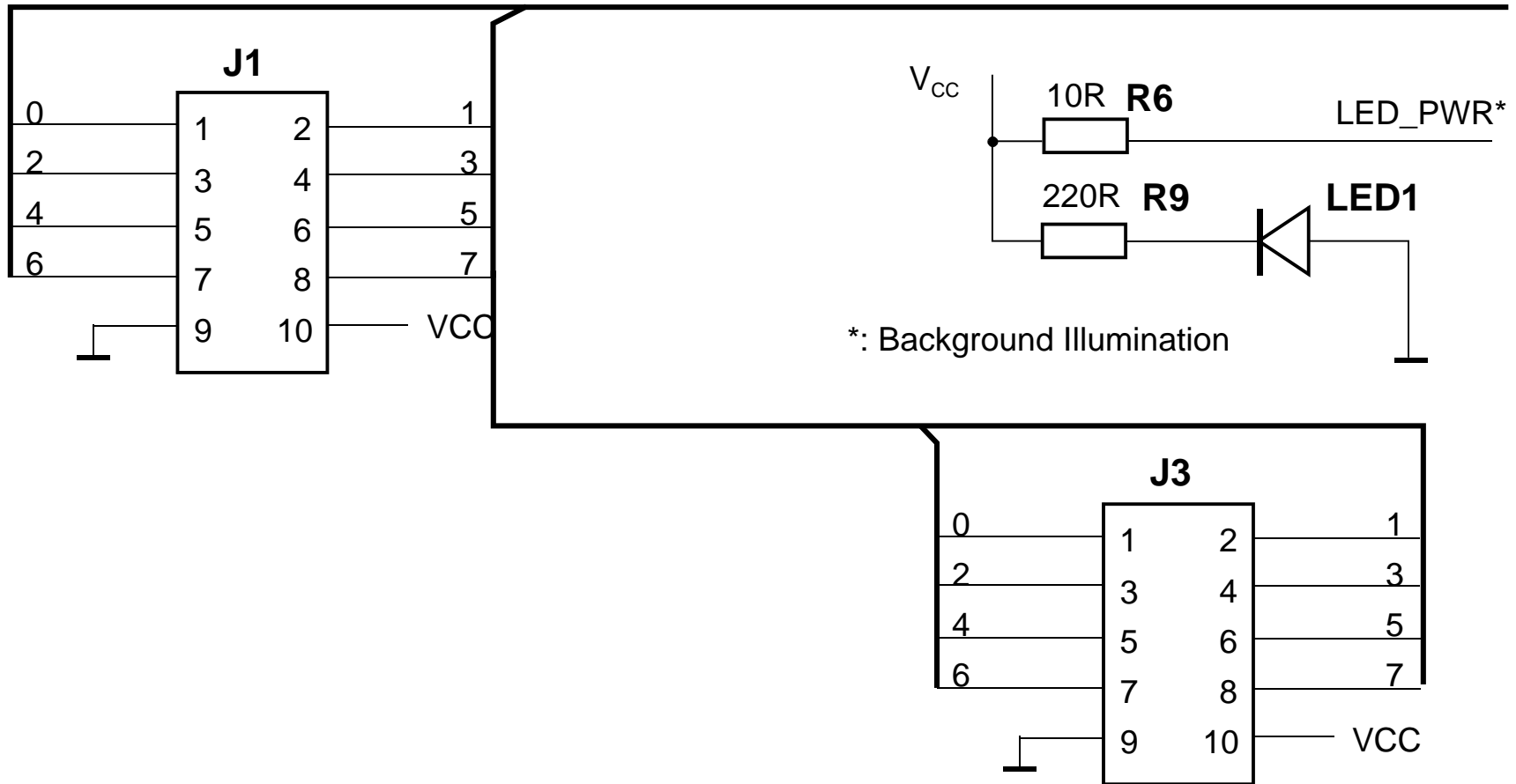


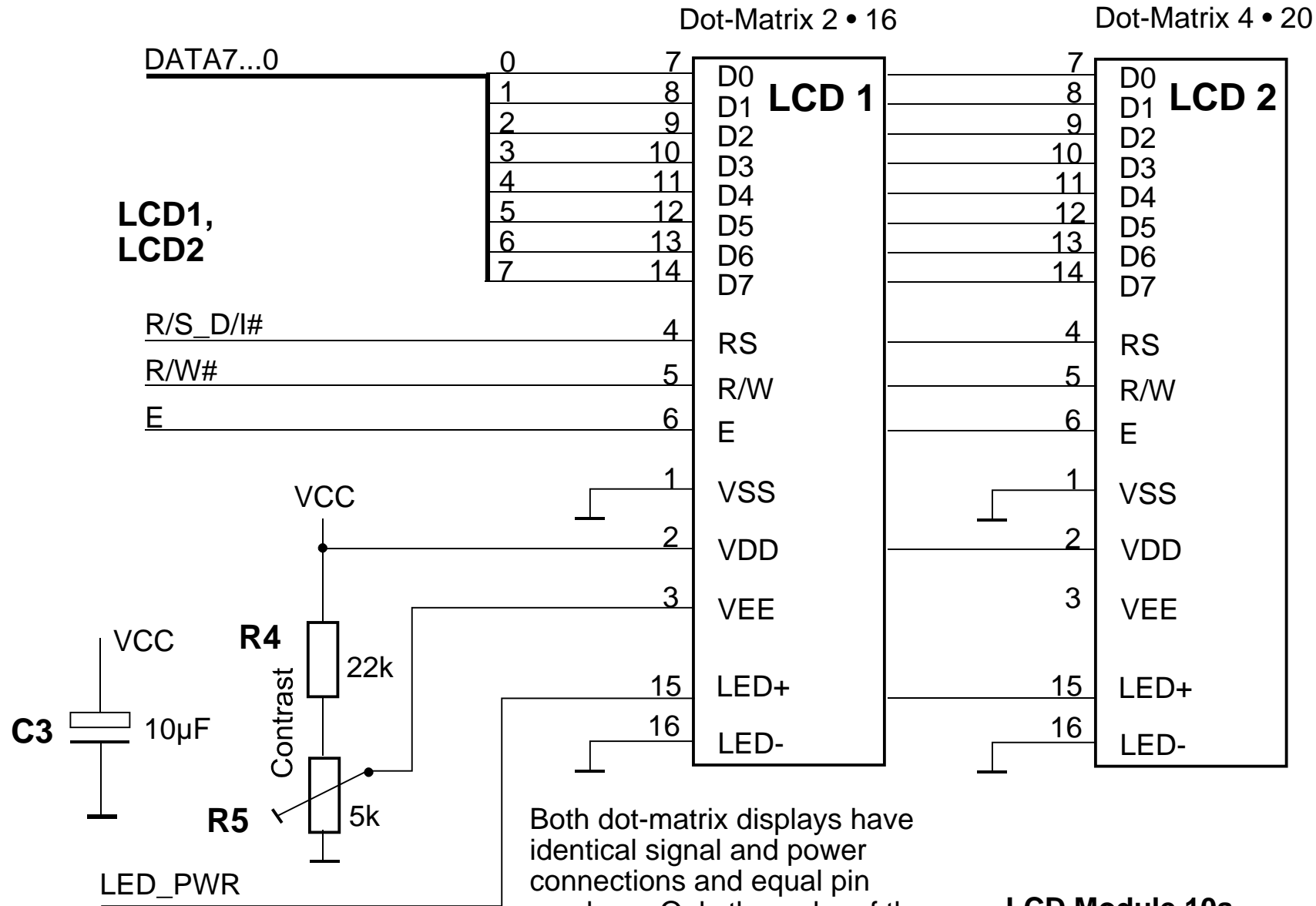
DATA7...0



LCD Module 10a

Sheet 2 of 4

Revision: 1.3 (February 17, 2010)



Both dot-matrix displays have identical signal and power connections and equal pin numbers. Only the order of the pins in the connector is slightly different.

