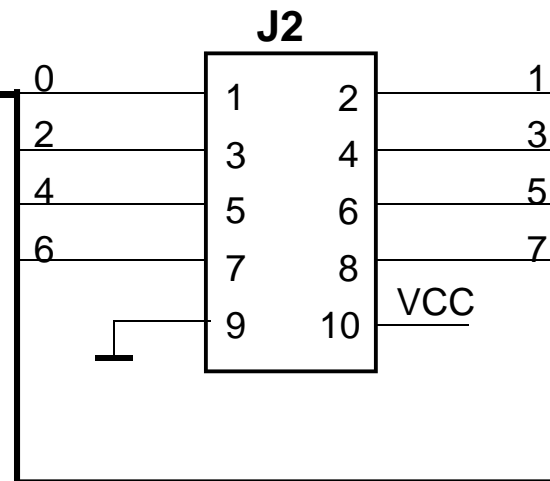


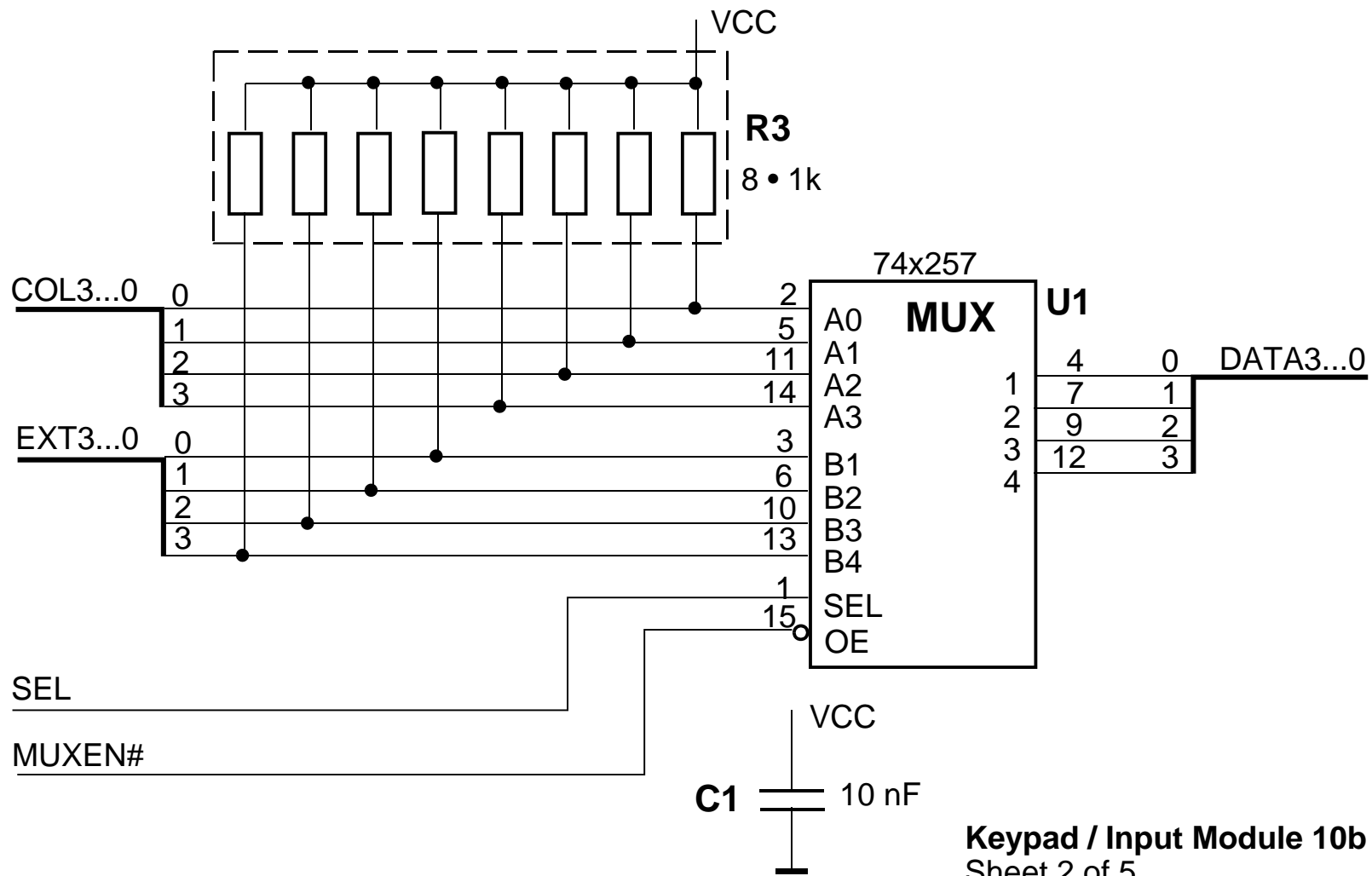
DATA7...0



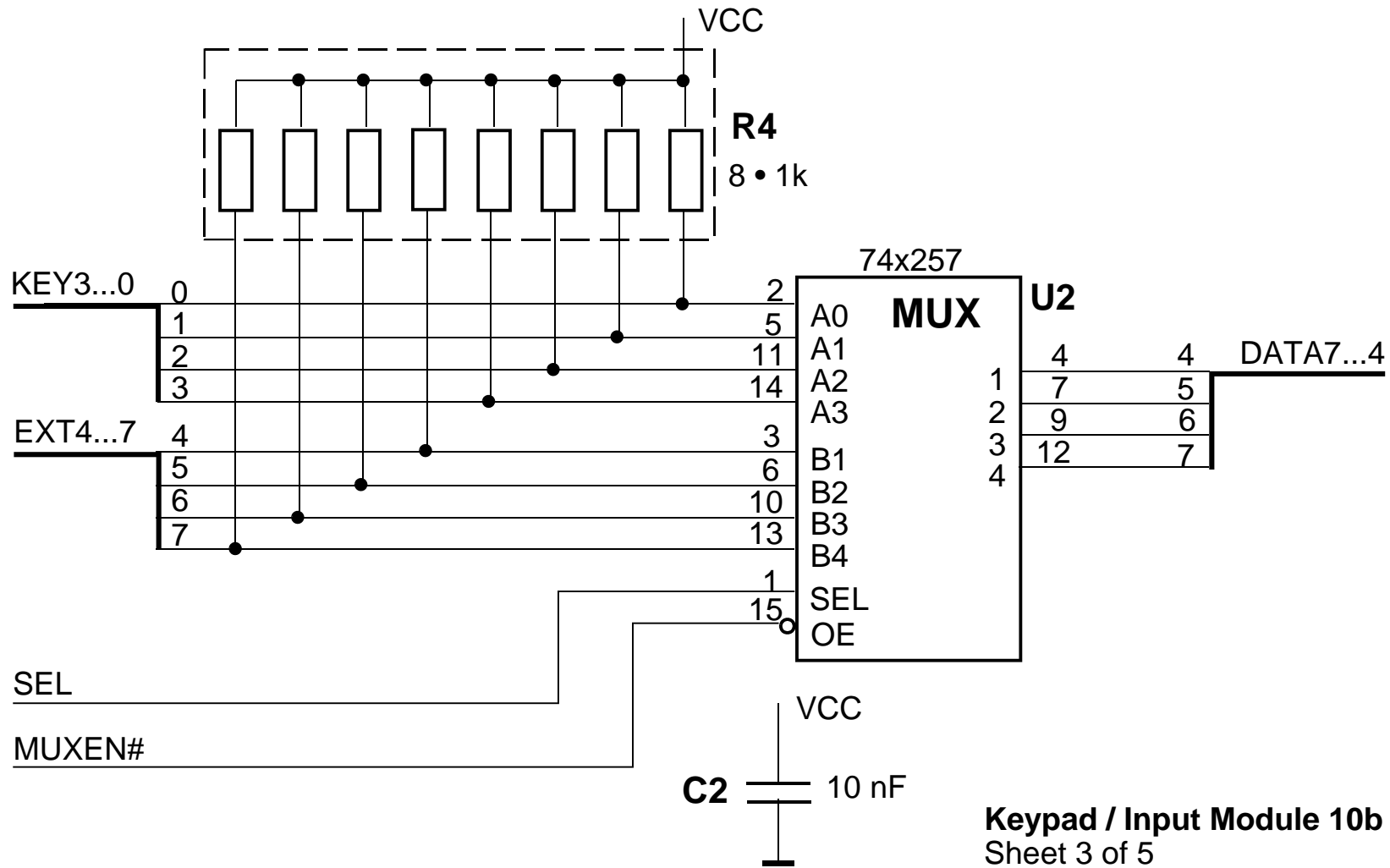
Keypad / Input Module 10b

Sheet 1 of 5

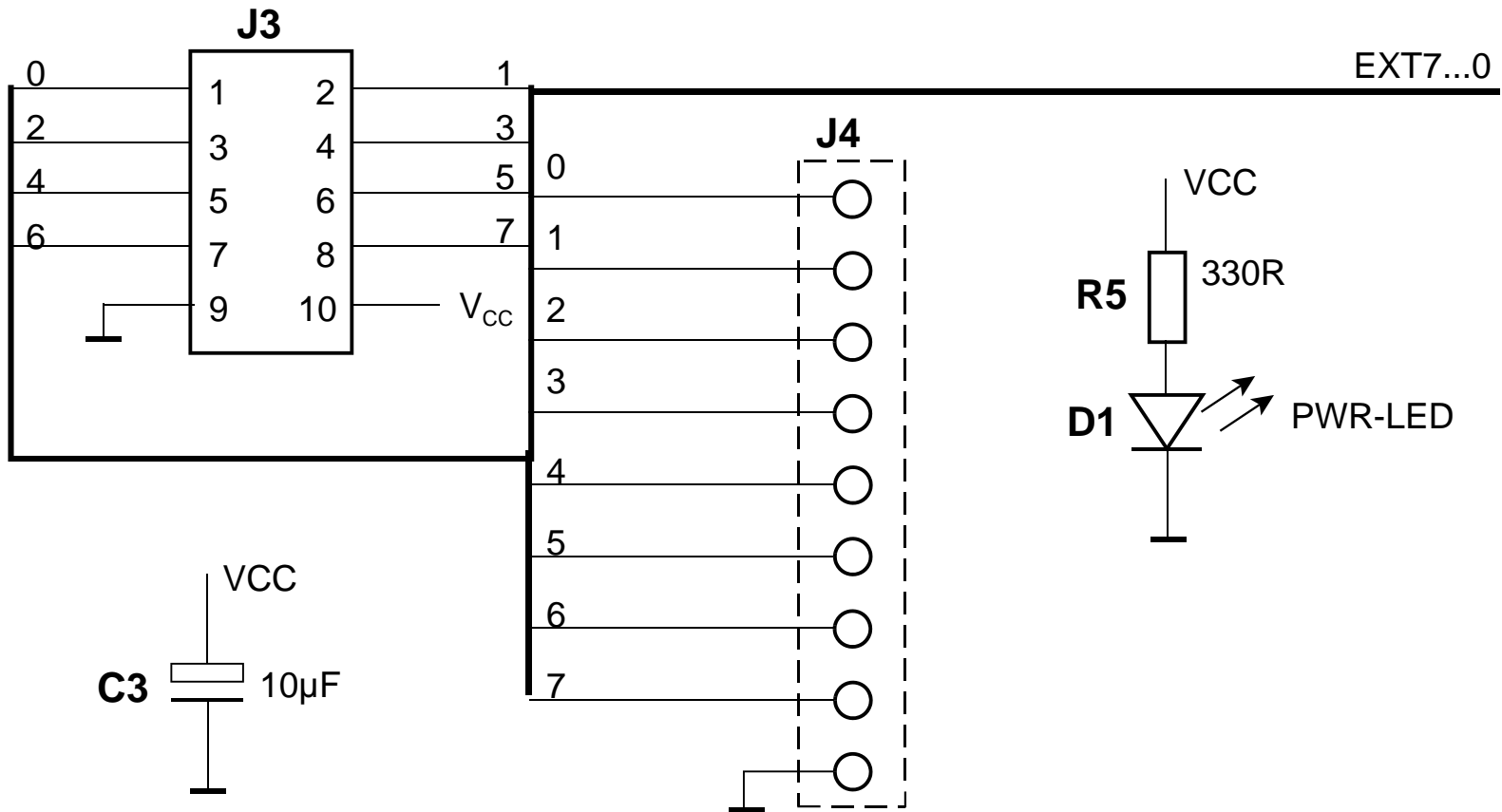
Revision: 1.4 (December 9, 2014)



Keypad / Input Module 10b
Sheet 2 of 5
Revision: 1.4 (December 9, 2014)



Keypad / Input Module 10b
 Sheet 3 of 5
 Revision: 1.4 (December 9, 2014)



Keypad / Input Module 10b
 Sheet 4 of 5
 Revision: 1.4 (December 9, 2014)

Column: 0 1 2 3 This is the scan code

