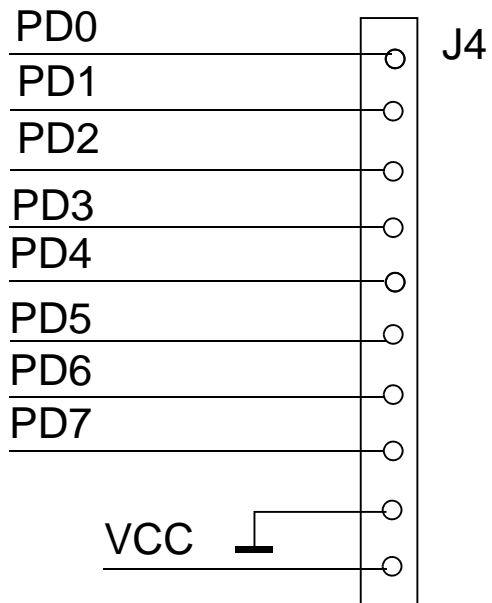
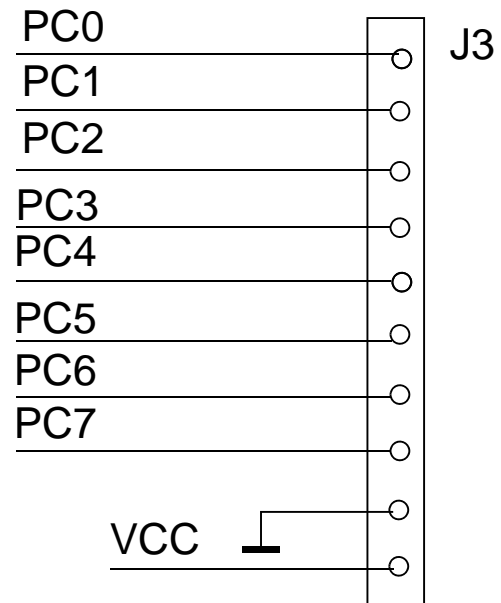
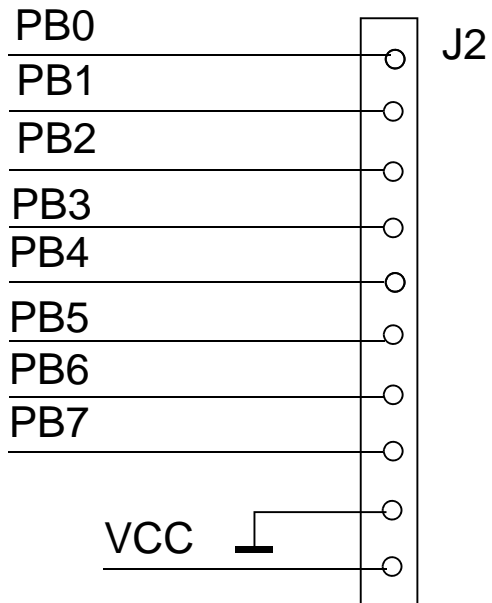
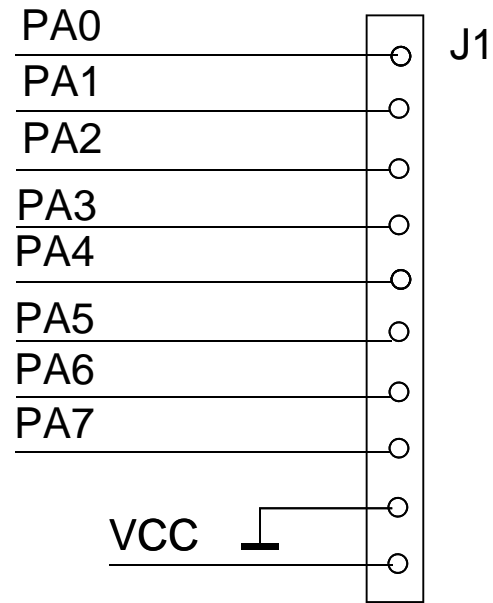
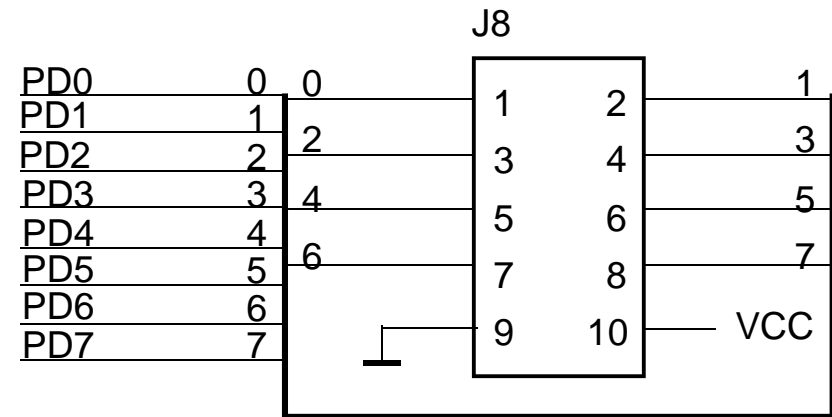
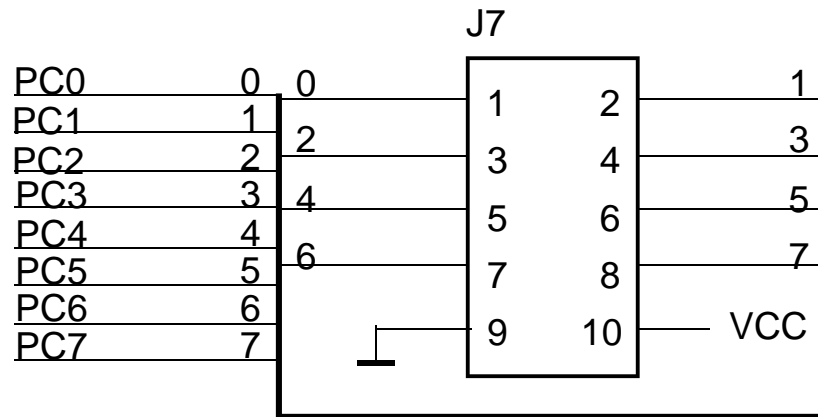
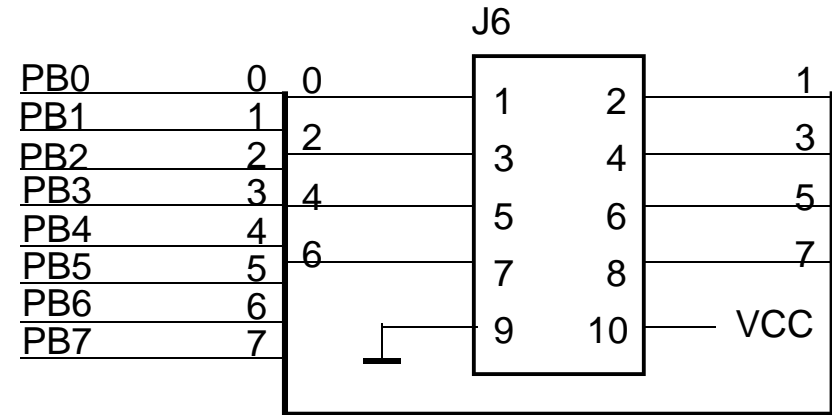
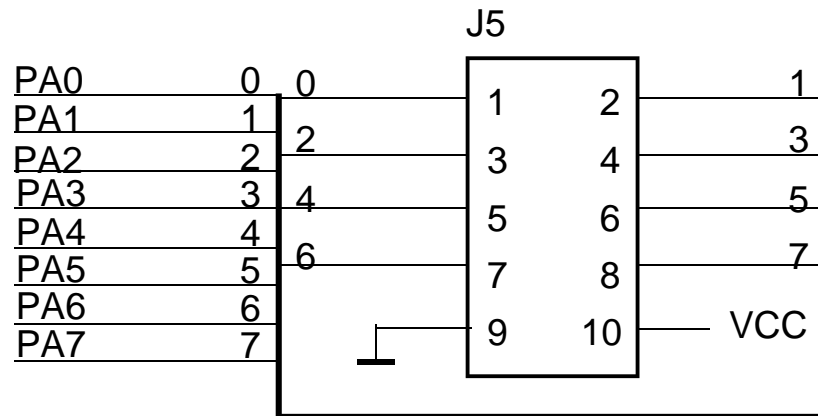
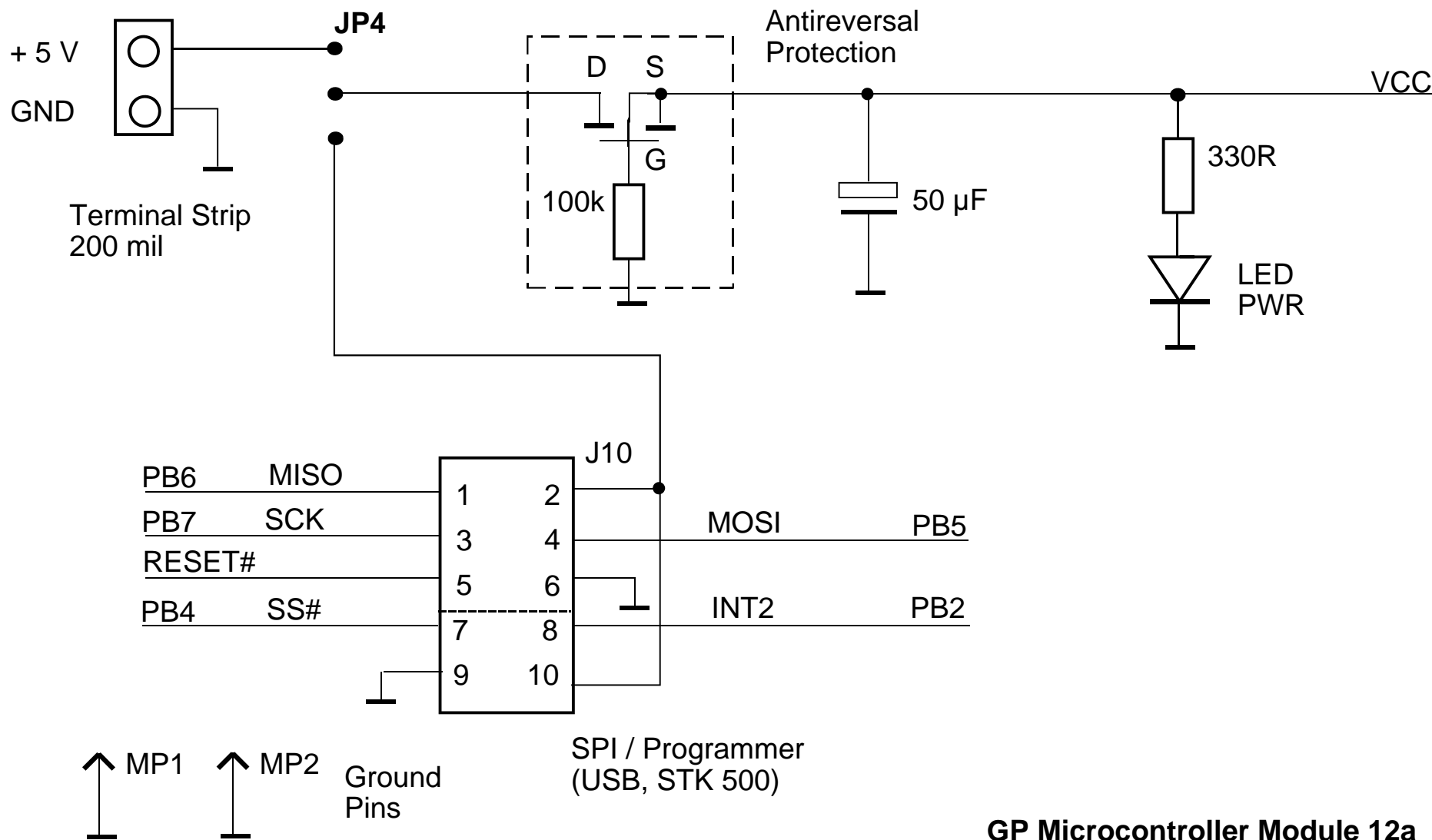


Alternate Microcontrollers:
 ATmega 164A, 324A, 644A, 1284

GP Microcontroller Module 12a
 Sheet 1 of 5
 Revision: 1.3 (July 13, 2012)







GP Microcontroller Module 12a

Sheet 4 of 5

Revision: 1.3 (July 13, 2012)

