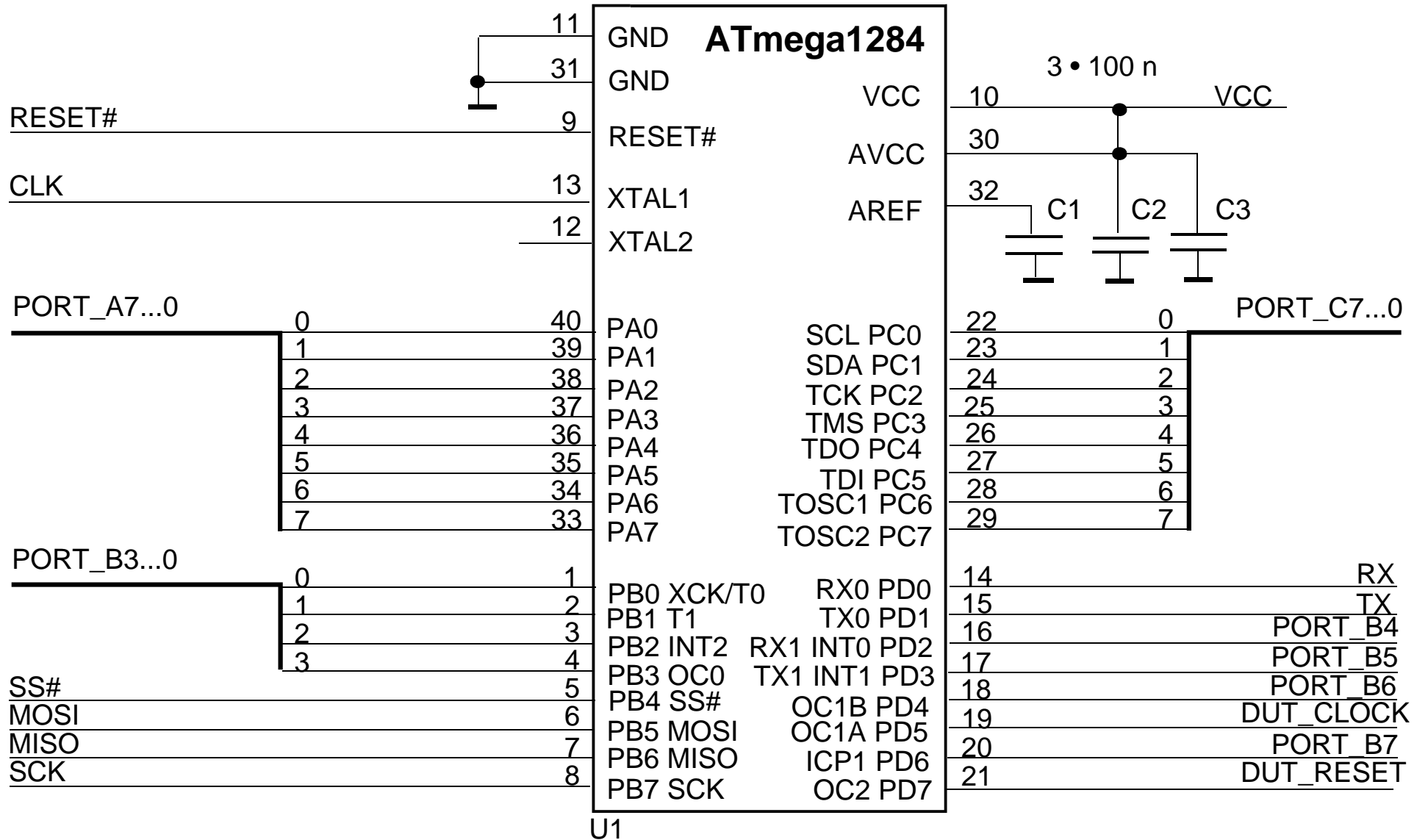


It is some kind of a probe pod. The microcontroller can observe the signal lines. It can also inject signals, or can be programmed as a substitute, emulating the peripheral devices attached to the target system.

## The Port Sniffer

21. 9. 2014

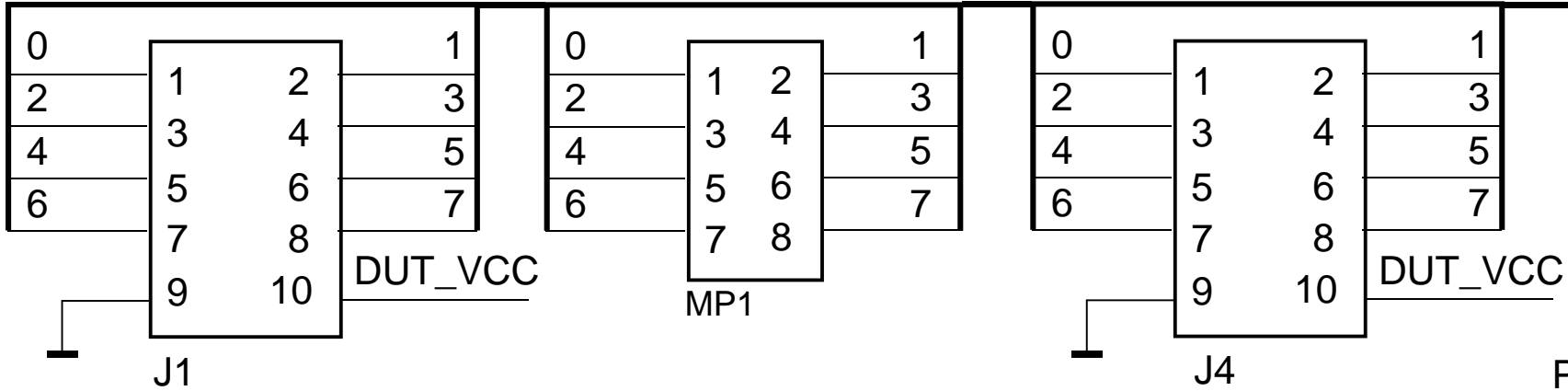


## Port Sniffer 13

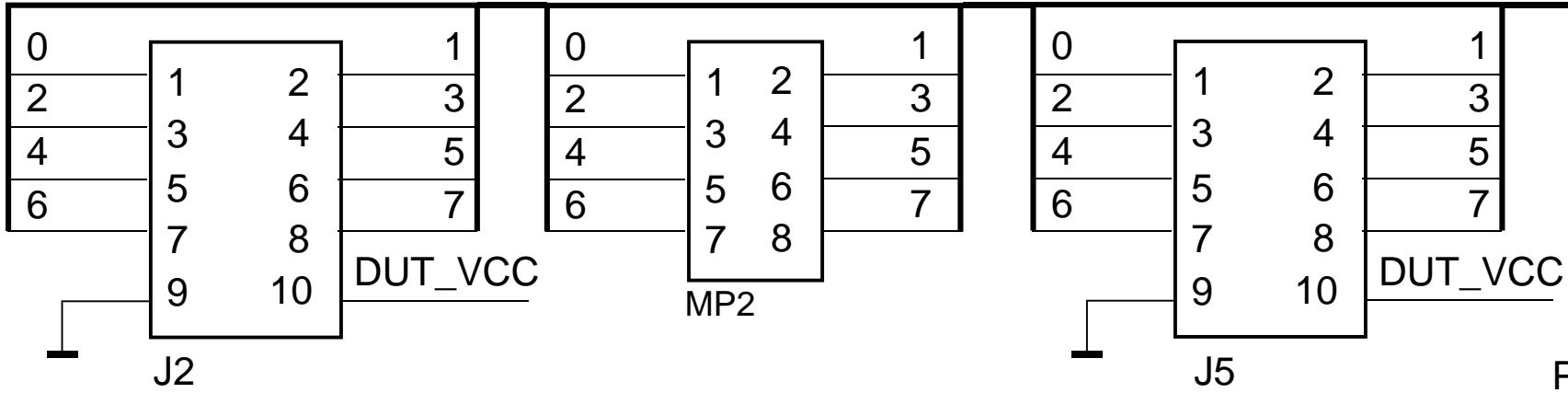
Blatt 1 von 5

Stand: 1.1 vom 21. 5. 13

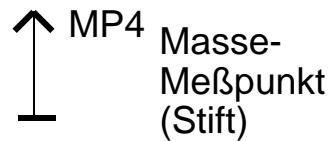
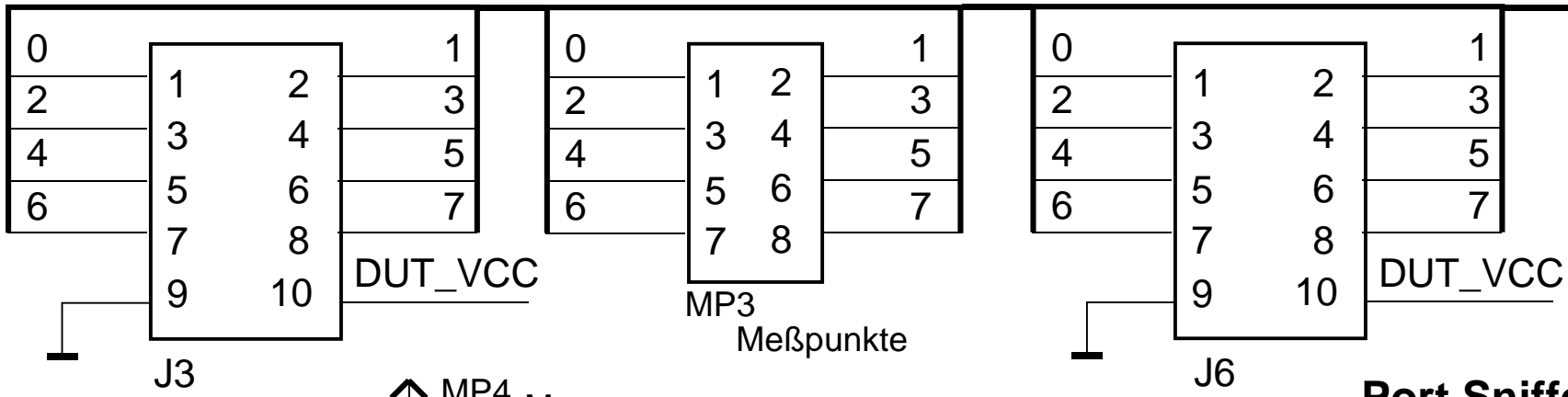
PORT\_A7...0



PORT\_B7...0



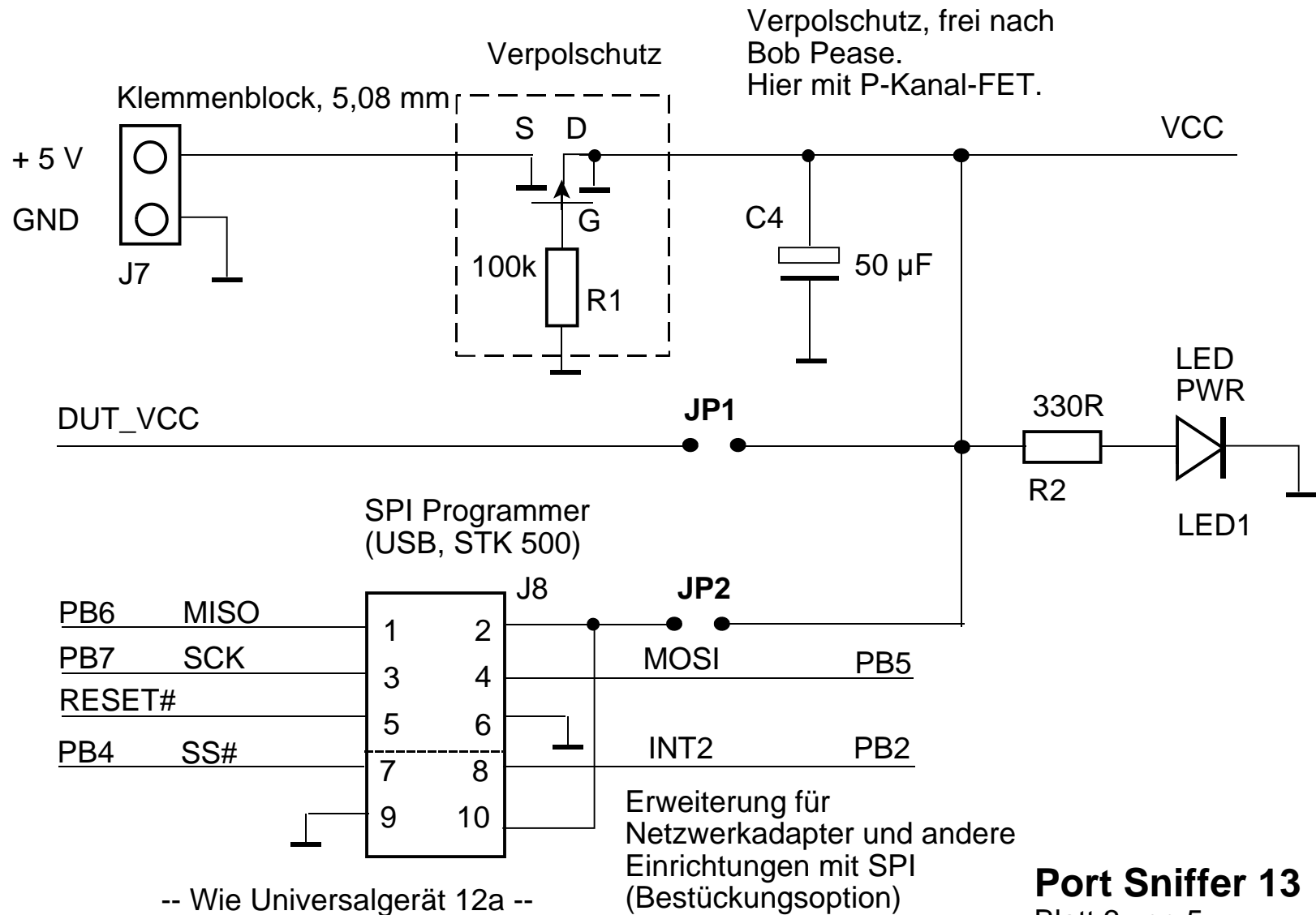
PORT\_C7...0



### Port Sniffer 13

Blatt 2 von 5

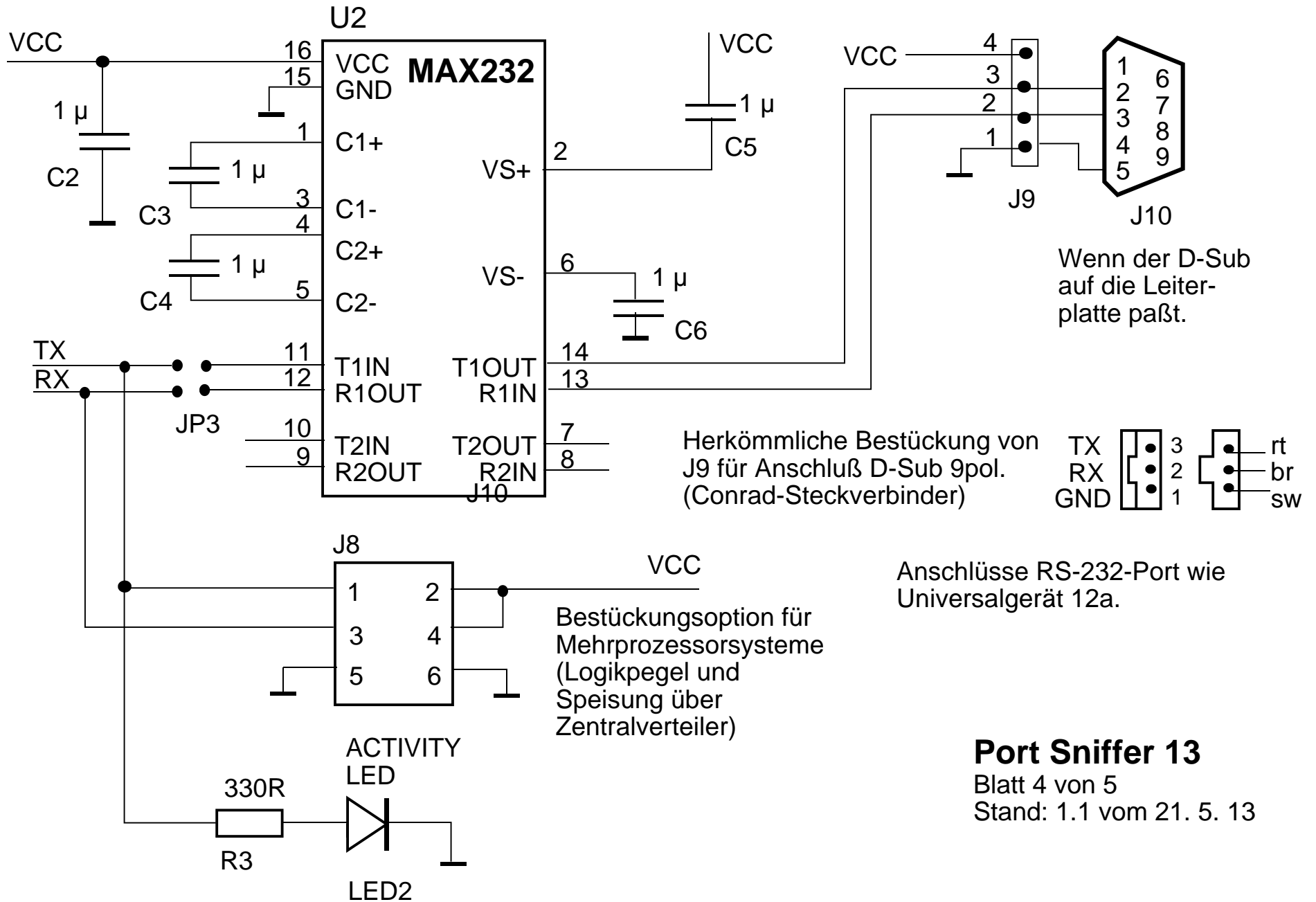
Stand: 1.1 vom 21. 5. 13

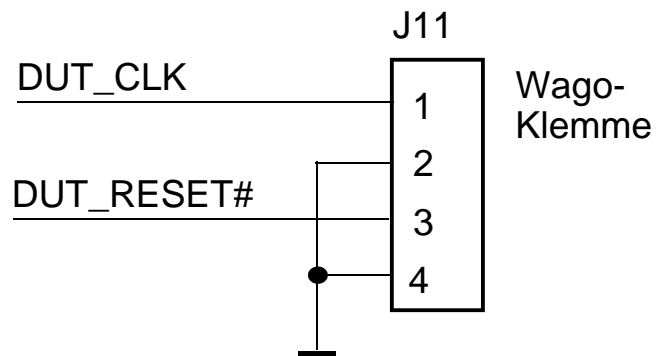
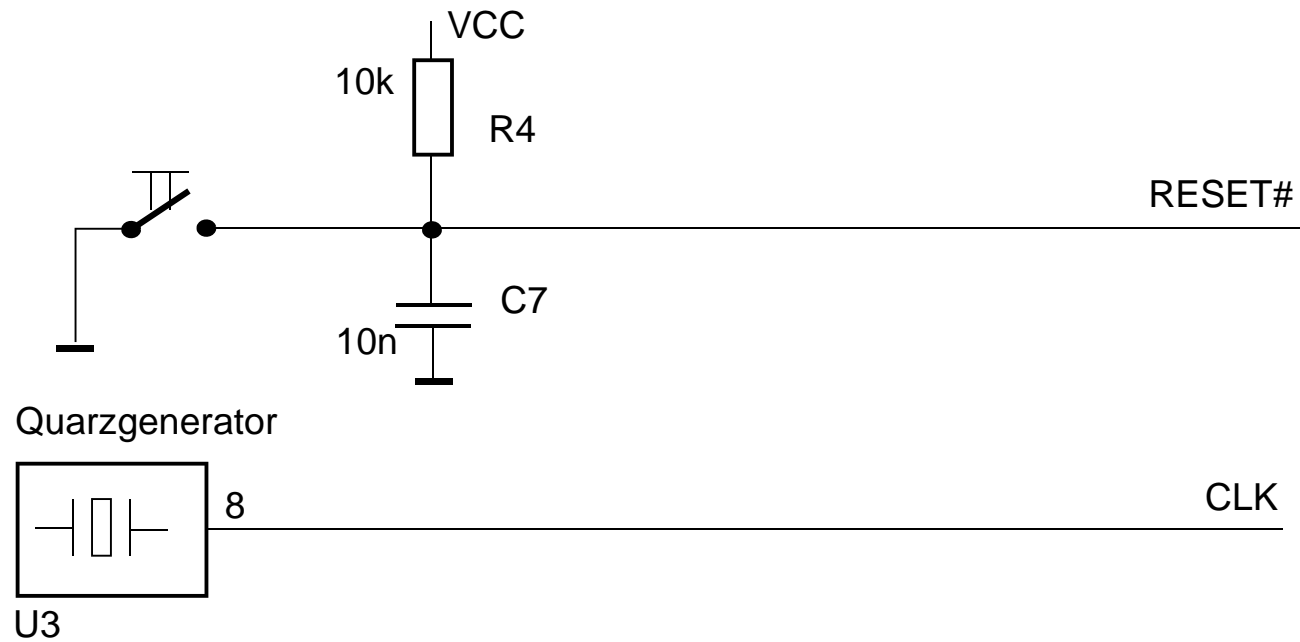


## Port Sniffer 13

Blatt 3 von 5

Stand: 1.1 vom 21. 5. 13





## Port Sniffer 13

Blatt 5 von 5

Stand: 1.1 vom 21. 5. 13